



**quick start guide**



**VuTEK GT series pipeline inspection systems**

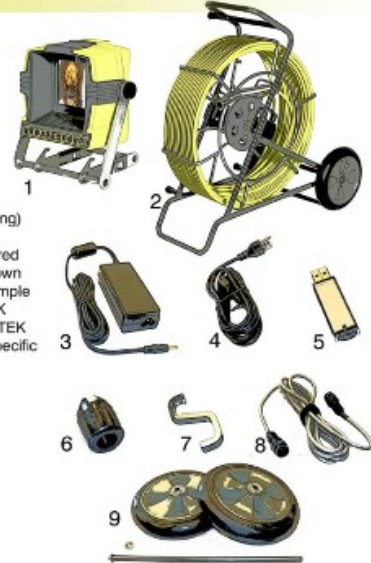
**1 welcome**

Welcome to your VuTEK GT Series Push Camera Quick Start Guide. This guide will help you complete a basic start-up of your new VuTEK GT Series Push Camera

If you need an introduction to your new system first, or would like help understanding the set-up process before you begin, please contact us and we will be more than happy to assist you.

**2 contents**

1. GT Series Controller
2. Push Cable Reel
3. Power supply DC
4. Power Supply cord
5. USB Memory Stick
6. Camera Sleeve
7. Spring Removal Tool
8. Interconnect Cable
9. Wheel kit (disassembled for shipping)



NOTE: Your system may be configured or purchased differently than shown here. This is a representative sample of a commonly configured VuTEK system. Please contact us at VuTEK with any questions about your specific system or options.

**3 setting up your VuTEK Inspection System**

- 1 - Assemble Wheel Kit (9) to Push Cable Reel (2)
  - a. Wheel axle comes prefitted with one wheel locking nut for your convenience. Install one wheel onto axle keeping in mind the hub side.
  - b. Slide this wheel/axle subassembly into frame fully. Slide final wheel over axle keeping in mind the proper orientation of the wheel
  - c. Install the cap nut over the axle to lock the assembly using a hammer.



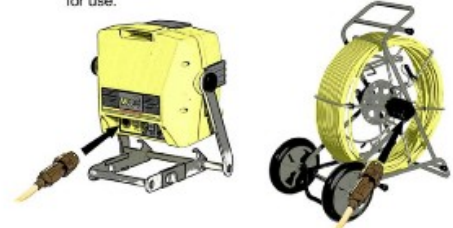
- 2 - Connect Power Cable to Controller and Charge
  - a. Connect DC Power Supply (3) to Power Supply Cord (4).
  - b. This Power Supply Cable is now ready to use and can be stored on your Push Rod frame.



- 3 - Plug-In Power Cable and Recharge Internal Battery
  - a. Plug DC end of Power Cable (from Step (2)) into rear of GT Series Controller (1) labeled "MAIN SYSTEM POWER".
  - b. Internal battery is pre-charged for your convenience. We recommend recharging all of your VuTEK systems overnight for full charge.
  - c. System charges internal battery even when unit is off.



- 4 - Connect GT Series Controller (1) with Push Cable Reel (2)
  - a. Plug one side of Interconnect Cable (8) into GT Series Controller
  - b. Plug other end of Interconnect Cable (8) into center hub of Push Cable Reel (2)
  - c. Your new VuTEK Inspection System is ready for use.



- 5 - Camera Sleeve (6) is preinstalled onto camera head and is recommended to be used at all times to protect Camera Head from excessive wear.
- 6 - Spring Removal Tool (7) is provided to assist you keeping your new VuTEK Inspection System operating at optimum performance.
- 7 - A USB Memory Stick (5) is included in your new system for recording videos with your advanced On-Demand recorder.

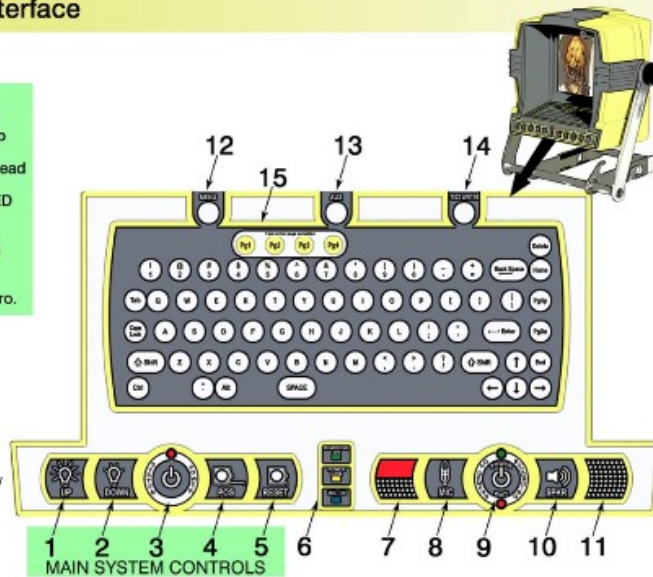
## 4 easy VuTEK user interface

### MAIN SYSTEM CONTROLS

- Brightness Up - Increase Camera Head LED brightness - recommended to keep this at full brightness.
- Brightness Down - Decrease Camera Head LED brightness.
- System Power ON/OFF button. Red LED indicates system is ON.
- On-Screen Distance Counter Position. Button will toggle distance counter to 6 positions on display.
- On-Screen Distance Counter Reset. Button will reset distance counter to zero.

### SYSTEM MONITOR PANEL

- LED System Indicators
  - Green "Charging On" LED
    - ON Green - Full Charge
    - BLINKING Green - Charging
    - OFF Green - Not Charging
  - Yellow "Power Low" LED
    - OFF Yellow - Normal
    - 1/2 sec ON, 1/2 sec OFF - Power Low
    - 1 sec ON, 1 sec OFF - System Fault
  - Blue "Mic On" LED
    - ON Blue - Microphone ON
    - OFF Blue - Microphone Off



### ON-DEMAND RECORDING

- Built-In Microphone and IR remote window
- Microphone ON/OFF button. Blue "MIC" LED and on-screen "MIC" appear when ON.
- On-Demand Recording ON/OFF Button. Red blinking LED indicates recorder is turning ON and will be ready for use shortly. Green LED indicates recorder is ON and is ready for use.
- Speaker ON/OFF button. Sound playback is available during video playback. Button will toggle volume from lowest to highest.
- Built-In Speaker

### CONFIGURATION MENU

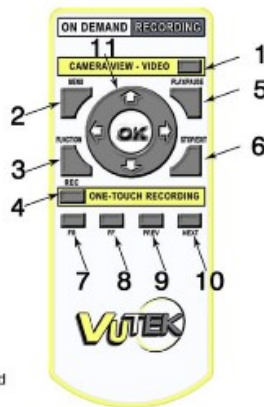
- Menu Button - Menu button brings up the on-screen configuration menu. Please call VuTEK customer support for assistance. Also doubles as a "soft" key for on-screen display.
- Menu Button - This button is used as a "soft" key for on-screen display
- Menu Button - This button is used as a "soft" key for on-screen display. Also doubles as a textwriter selection screen

### TEXT-WRITER PAGE SELECTOR

- Text-Writer Page Selector - 4 pages
  - Pg 1 - No text. Distance counter only
  - Pg 2 - Contractor Form Page
  - Pg 3 - Client Form Page
  - Pg 4 - Free Form Page

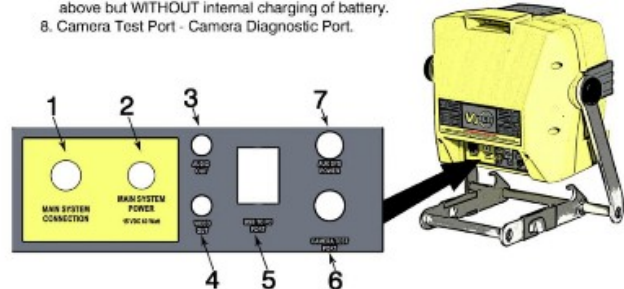
## 5 on-demand recorder controls

- One-Touch Camera View. Button to return you to Camera Video from Recorder Menu
- Menu Button - Return to the Recorder Main Menu
- Function Button - Multifunction button offers additional functionality including copying files from optional internal H.D. to external USB Thumbdrive
- One-Touch Recording Button - When in Camera View (see button 1 above), hit button to start recording.
- Play/Pause Button - Use during playback
- Stop/Exit Button - Used to Stop Recording or Playback.
- Fast Rewind Button - Used during playback
- Fast Forward Button - Used during playback
- Previous Button - Used during playback to go to previous recording.
- Next Button - Used during playback to go to next recording.
- OK Selection Button and Arrow Buttons - Used to Select the highlighted items.



## 6 easy connect system

- Main System Connection - Connect provided Interconnect Cable (8) to this receptacle.
- Main System Power Connection - Connect the main power cable( 3&4). This connection will power your VuTEK Camera System AND recharge the internal battery. Note: Advanced functionality recharges internal battery even when system is off.
- Audio Out Jack
- Video Out Jack
- USB to PC Port - Used to connect the Optional Internal Hard Drive to a P.C. Move files efficiently to an external computer.
- Auxiliary System Power - Same as number 2 above but WITHOUT internal charging of battery.
- Camera Test Port - Camera Diagnostic Port.



## 7 frequently asked questions

- How do I record a video on my New VuTEK System?**
  - Make sure the On-Demand Recorder is ON. From the Camera View mode (button 1 on remote) press the "ONE TOUCH RECORDING" button. Press "OK" button on remote. Recording is indicated by a red dot on the bottom left corner of the screen.
  - Stop your recording by simply pressing the "STOP/EXIT" button on your remote.
- How do I play back my recording on my computer?**
  - We have provided the portable VuTEK MEDIA PLAYER with your new VuTEK system for the most convenient option. Please contact us if you need additional copies of this player.
  - Insert your USB Memory Stick into a computer. From the USB Memory Stick, launch the VuTEK Media Player. Simply use the open file functions in the player to open and play recorded videos. Please contact your computer support person for additional information on playing videos on your specific computer.
- Does my VuTEK GT series system charge when the system is powered OFF?**
  - Yes. The system will charge the internal battery if the system is plugged into a power outlet. However, the Green "Charging On" LED will not indicate status.
- What connection will recharge and power my system?**
  - The Power Cable needs to be connected to the DC receptacle labeled as "MAIN SYSTEM POWER".
- Is it OK to leave my system plugged in all the time even when not in use for long periods of time?**
  - Yes. It is perfectly OK to leave your system plugged in all the time.

## 8 trouble shooting guide

- Why is there fog inside my camera lense?**
  - Water moisture indicates a failure of the camera head. Your VuTEK camera head was manufactured to the highest standards and procedures. Please contact VuTEK for assistance in returning your system to its optimum performance.
- What happens when I lose video during operation?**
  - The loss of Video during operation could indicate a number of different situations. You VuTEK System includes exclusive live-personal support. Please contact VuTEK for assistance in returning your system to its optimum performance.
- Why don't I see my distance counter on the screen?**
  - Press the "POS" Button (See Button 4 above) on the front of your GT Series Controller. The "POS" button toggles the position of the distance counter on the screen.
  - Please contact VuTEK for assistance if the distance counter does not reappear after hitting the "POS" button.
- What happens if I lose the LED lights on my camera head during an inspection?**
  - Verify that the LED Lights are fully bright by pressing the "UP" Button (see item button 1 above) a number of times. If the LED Lights do not increase to full brightness, contact VuTEK for additional support.