

J-Maxx
For 1-1/4" to 4" Lines

The J-Maxx sewer snake packs alot of power for a smaller machine. It cleans residential jobs, roof vents, or floor drains.



Specifications:

- 1/3 HP motor
- 200 RPM

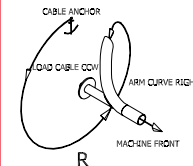
Features:

- Mobility Kit (optional)
- Ground Fault Circuit Interruptor
- 6" Wheels
- Standard Safety Air Foot Pedal
- Steel frame
- Available with 16" or 19" reels



Machine Specifications (estimated)

Length	
Standard (without handle)	27"
Width	
With handle and wheels	17-1/2"
Height	
Machine	17"
Weight	
Machine	56.5 lbs.
Reel (D1S1)	10.5 lbs.
Wheels (narrow)	13 lbs.
Arms	
D8SL9A w/31020	19" reel
D8SL2A w/31021	16" reel



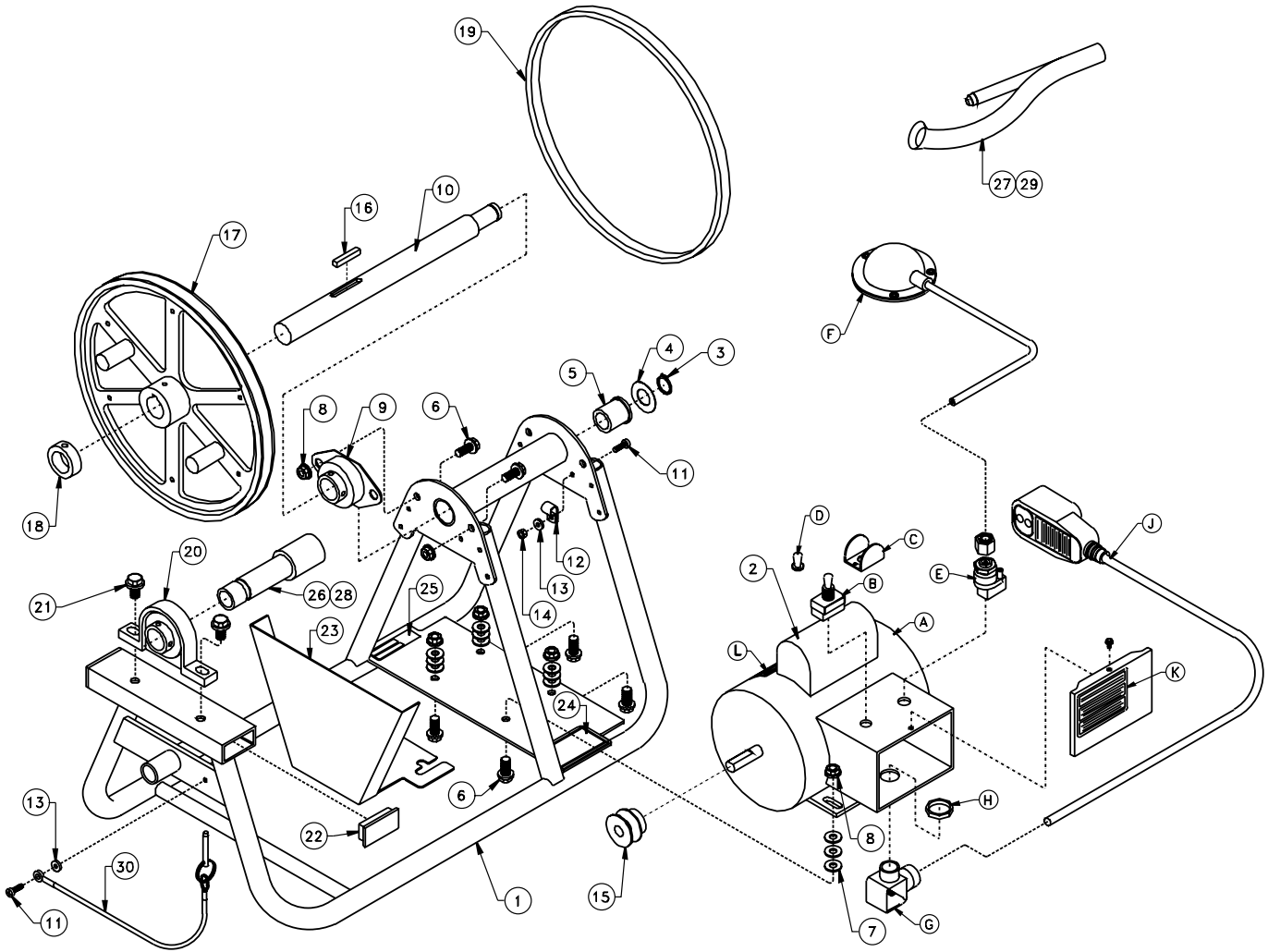
This is the standard arm that comes with this machine package.

The J-Maxx sewer snake resists impact damage better because of it's continuously welded steel frame which allows the workings of the machine to be bolted directly to the frame for stability. The J-Maxx sewer snake drain cleaning machine handles several reel sizes. Reels selected is set in place and slipped onto the reel shaft. Drive lugs are mounted on the drive plate and slip through the openings in the back of the reel. The reel is held in place by the revolving arm.

MODEL J-MAXX

Item	Item Description
Metal Reel Packages	
J-MAXX SP	1/3 HP motor at 200 RPM without PCFR, 16" open spoke metal reel, 3/8" x 75' cable
J-MAXX SPE	1/3 HP motor at 200 RPM without PCFR, 16" enclosed metal reel, 3/8" x 75' cable
J-MAXX SPA	1/3 HP motor at 200 RPM without PCFR, 19" open spoke metal reel, 1/2" x 75' cable
J-MAXX SPEA	1/3 HP motor at 200 RPM without PCFR, 19" enclosed metal reel, 1/2" x 75' cable
Polyethylene Reel Packages	
J-MAXX SPB	1/3 HP motor at 200 RPM without PCFR, 16" polyethylene reel, 3/8" x 75' cable
J-MAXX SPC	1/3 HP motor at 200 RPM without PCFR, 19" polyethylene reel, 1/2" x 75' cable
CABLE SUBSTITUTIONS	
Item	Item Description
CH50-090	1/2" x 90' Hollow Core
CH38-075	3/8" x 75' Hollow Core
CH38-090	3/8" x 90' Hollow Core
LC	Cable Pre-Loaded into Reel
MACHINE ACCESSORIES / REPLACEMENT PARTS	
Item	Item Description
DRC16	Reel Cover for 16" Open Spoke Metal Reel (D1S)
DRC19	Reel Cover for 19" Open Spoke Metal Reel (D1S1)
31001	Mobility Kit (optional)
31005	1/3 HP motor 200 RPM
780000	Mini Power Cable Feed and Return

J-Maxx Sewer Snake



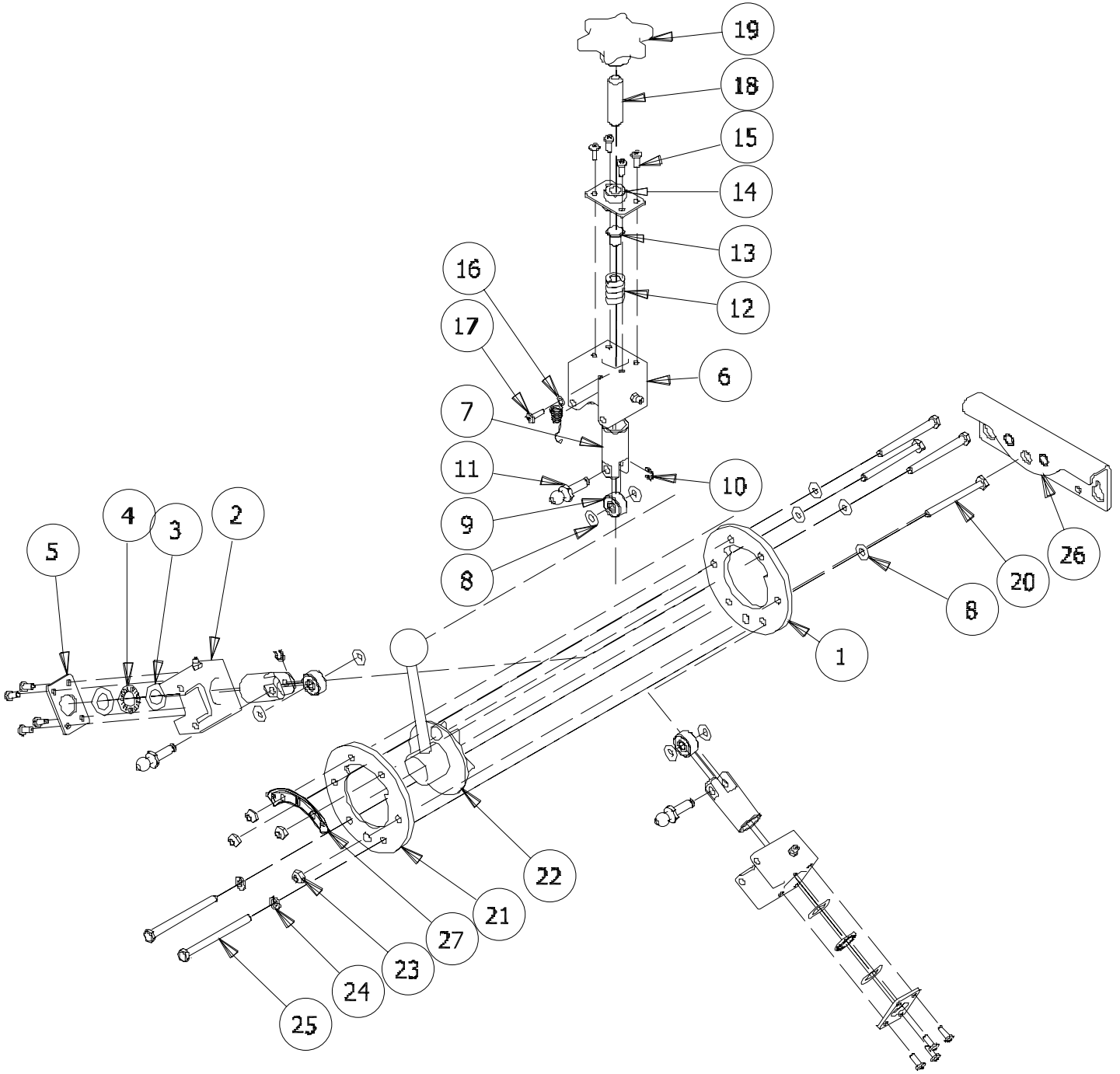
J-Maxx Sewer Snake



The entire line item in **bold** identifies the name of an entire assembly.
The “Z” shaped arrow identifies all the parts that make up that assembly.
You can purchase the entire assembly, or just the individual parts.

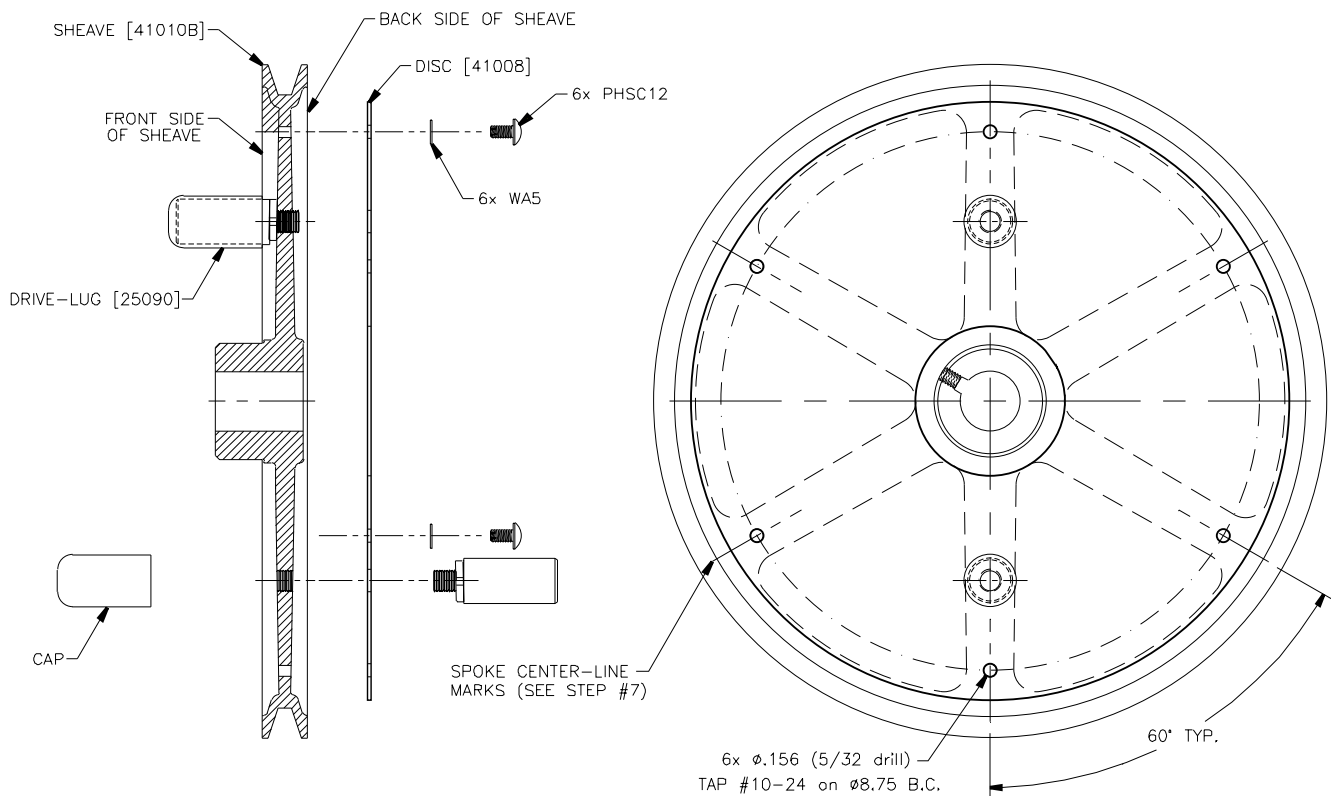
J-MAXX PARTS LIST			
Item#	Qty.	Part#	Description
1	1	D31015	Frame, Red
2	1	31005	Motor Assembly
A	1	31005A	Motor, 1/3 HP
B	1	25002	Switch, Detent - Forward/Reverse
C	1	25015	Switch Guard
D	1	ECT26	Rubber Switch Boot
E	1	25061	Air Foot On/Off Switch with Nut
F	1	25074	Foot Pedal with 10' Tube
G	1	ECT34	1/2" Strain Relief, 90 degree Snap Elbow with Dome Nut
H	1	ELN1	Electrical Nut, 1/2" NPT (National Pipe Thread)
J	1	25166	GFCI cord, 16/3 x 22"
K	1	25064	Decal, Forward/Reverse Caution
L	1	25212	Decal, GFCI Rotating Danger
3	1	RRING14	External "E" Ring
4	1	WA32	Machine Bushing
5	1	SB19	Drum Shaft Bearing
6	6	FLSC1	5/16"-18 x 3/4" Hex Head Flange Screw
7	12	WA15	1/3" x 3/4" x .07" Stainless Steel Flat Washer
8	6	FLNUT3	5/16"-18 Hex Flange Nut, Locking
9	1	SB5	Bearing, Drum Shaft
10	1	31040	Drum Shaft
11	2	PHSC5	#10-32 x 1/2" Pan Head Thread Cutting Machine Screw
12	1	CCL1	Cable Clamp, Black
13	2	WA5	#10 External Tooth Lock Washer
14	1	HXNUT3	#10-24 Hex Nut
15	1	41010A	Sheave, 4L x 1-1/2" outside diameter
16	1	KEY6	1/4" x 1-3/8" Square Key
17	1	41010B	Sheave, 4L x 11-1/4" outside diameter with Drive Lugs
	2	25090A	Drive Lug
	2	MM4	Drive Lug Cap, Red
	2	WA10	3/8" Split Lock Washer
	1	41008	Guard, Sheave
18	1	25120	Drum Shaft Bushing
19	1	41010C	Belt, 4L x 37"
20	1	SB8	Head Bearing
21	2	FLSC7	3/8"-16 x 5/8" Hex Head Flange Screw
22	2	MM16	End Cap, Black
23	1	41009	Motor Guard

Mini Power Cable Feed and Return



Mounting Instructions for Sheave Disc (DM30, DM30, J-Maxx)

1. Disconnect power supply to machine.
2. Loosen motor mounting screws.
3. Remove drive belt and real sheave from machine.
4. Unscrew and remove drive-lugs on front side of sheave. Remove drive-lug cap prior to unscrewing or tightening the drive-lug.
5. Center disc on the back side of sheave, align the disc mounting holes with the tapped holes on the sheave.
6. Use the drive-lugs to secure the disc to the back side of the sheave.
7. Use the disc as a templat to mark hole locations on the sheave spokes.
8. Remove the drive-lugs and the disc.
9. Drill (0.156) and tap ($\#10-24$) the six (6) mounting holes as marked.
10. Use the screws and washers provided to secure the disc to the sheave.
11. Install the drive-lugs and capes on front side of sheave.
12. Install drive belt and sheave in reverse order of removal.
13. Adjust belt tension as needed and refasten motor mounting screws.



Mounting Instructions for Sheave Guard (DM30, DM30, J-Maxx)

1. Disconnect power supply to machine.
2. Place the machine in the upright position and remove the reel.
3. Loosen the front two (2) motor nuts, securing the motor bolts to the motor mounting plate, about 1/4" (as shown).
4. *Slide the sheave guard between the front two (2) motor nuts and the motor mounting plate, leaving a 1/8" gap between the motor shaft and the sheave guard (refer to print).
5. Hold sheave guard in position and tighten the front two (2) motor nuts until sheave guard is secure.
6. Reattach reel and check for clearance, reel should rotate freely.
7. If rubbing occurs, adjust sheave guard as necessary.
8. Repeat steps #6 and #7 until all reels spin freely.

**Note: The sheave guard can be mounted as shown or mounted on the bottom side of the motor plate.*

