

## DM10

For 1-1/4" to 4" Lines

The DM10 is an ideal sewer snake for smaller residential jobs. It is light and maneuverable and fits many different sewer cable reels. The DM10 sewer snake excels at residential jobs, roof vents, sinks, bathtubs, shower drains, floor drains, and laundry drains.



### Specifications:

- 1/3 HP motor
- 195 RPM

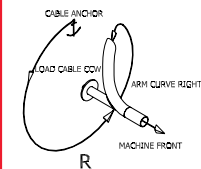
### Features:

- Telescoping Handle
- Ground Fault Circuit Interruptor
- 6" wheels
- Standard Safety Air Foot Pedal
- Available with 16" or 19" reels



### Machine Specifications (estimated)

|                                  |          |
|----------------------------------|----------|
| <b>Length (handle retracted)</b> |          |
| Without PCFR                     | 34-1/2"  |
| <b>Width</b>                     |          |
| With wheels (standard)           | 20"      |
| <b>Height</b>                    |          |
| Standard machine                 | 18"      |
| <b>Weight</b>                    |          |
| Machine                          | 71 lbs.  |
| D1S Reel                         | 9.5 lbs. |
| Wheels (standard)                | 5.5 lbs. |
| <b>Arms</b>                      |          |
| D8SL2                            | 16" reel |
| D8SL9                            | 19" reel |



This is the standard arm that comes with this machine package.

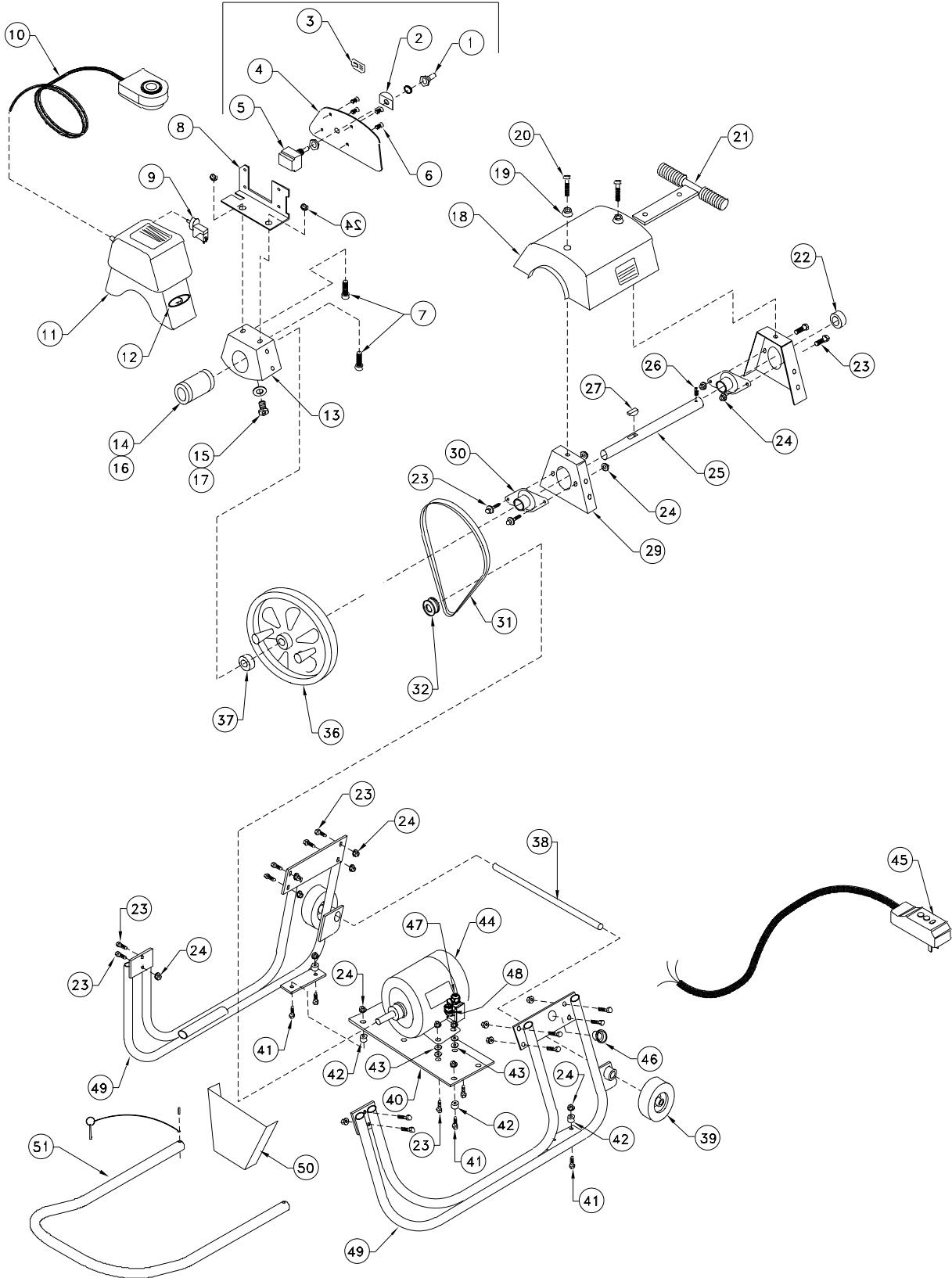
The DM10 is a continuous weld, double-tube frame is stable, yet lightweight. The wiring is run inside the tube frame to help protect the operator. The air foot pedal is also a safety measure designed with the operator in mind. The sewer snake fits four different size reels to make it flexible for a variety of jobs.

| DM10                              |   |
|-----------------------------------|---|
| Item                              | Item Description  |
| <b>Metal Reel Packages</b>        |   |
| DM10 SP                           | 1/3 HP motor at 195 RPM, 16" open spoke metal reel, 3/8" x 75' cable      |
| DM10 SPE                          | 1/3 HP motor at 195 RPM, 16" enclosed metal reel, 3/8" x 75' cable        |
| DM10 SPA                          | 1/3 HP motor at 195 RPM, 19" open spoke metal reel, 1/2" x 75' cable      |
| DM10 SPEA                         | 1/3 HP motor at 195 RPM, 19" enclosed metal reel, 1/2" x 75' cable        |
| <b>Polyethylene Reel Packages</b> |   |
| DM10 SPB                          | 1/3 HP motor at 195 RPM, 16" enclosed polyethylene reel, 3/8" x 75' cable |
| DM10 SPC                          | 1/3 HP motor at 195 RPM, 19" enclosed polyethylene reel, 1/2" x 75' cable |

| CABLE SUBSTITUTIONS                    |   |
|--|---|
| Item                                   | Item Description                                |
| CH50-075                               | 1/2" x 75' Hollow Core                          |
| LC                                     | Cable Pre-Loaded into Reel                      |
| <b>ACCESSORIES / REPLACEMENT PARTS</b> |   |
| Item                                   | Item Description                                |
| PCFR                                   | Power Cable Feed and Return                     |
| PCFR80K                                | Power Cable Feed and Return Adapter Kit         |
| DKIT1                                  | Blade Kit                                       |
| DRC16                                  | Reel Cover for 16" Open Spoke Metal Reel (D1S)  |
| DRC19                                  | Reel Cover for 19" Open Spoke Metal Reel (D1S1) |
| 41060                                  | 6" Solid Wheels                                 |
| 41025K                                 | Handle with Hardware and Instructions           |
| 41005                                  | 1/3 HP Motor                                    |

# DM10 Sewer Snake

25010K - SWITCH PLATE ASSY.



## DM10 Sewer Snake



The entire line item in **bold** identifies the name of an entire assembly. The "Z" shaped arrow identifies all the parts that make up that assembly. You can purchase the entire assembly, or just the individual parts.

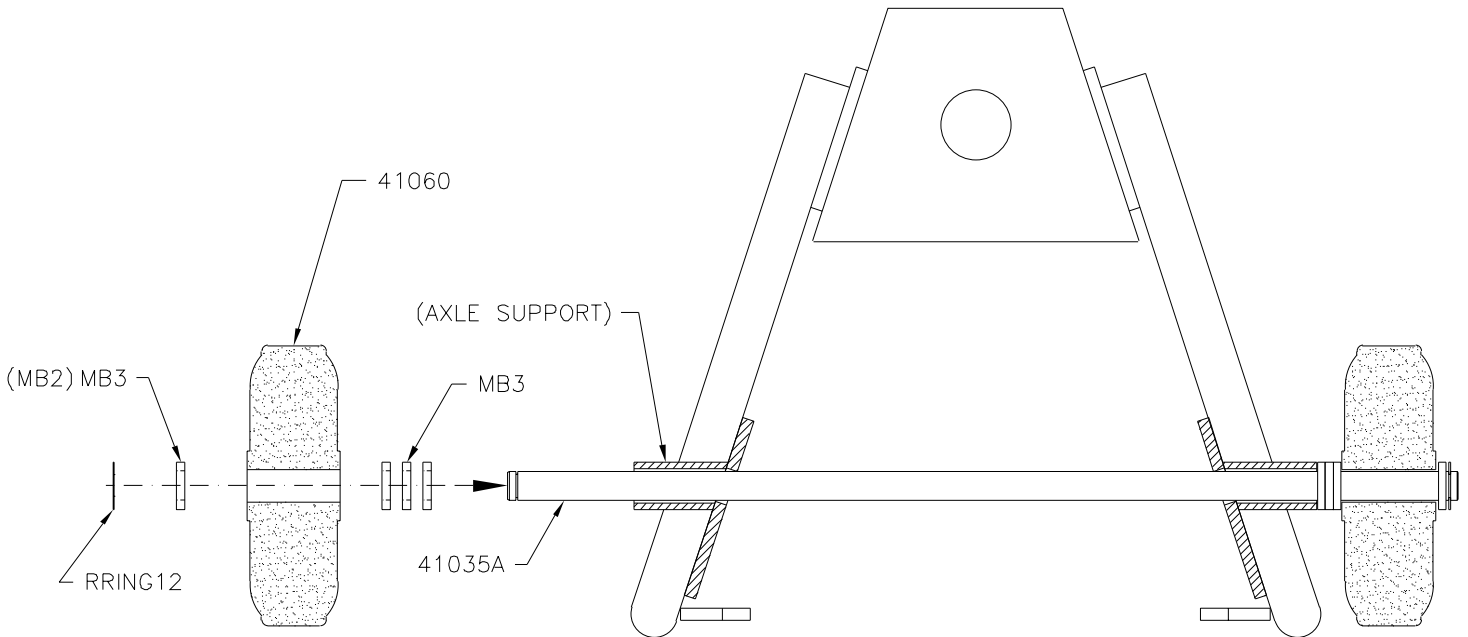
| DM10 PARTS LIST |      |         |  |
|-----------------|------|---------|--|
| Item#           | Qty. | Part#   | Description                              |
| <b>1</b>        | 1    | 25010K  | Switch Plate Assembly                    |
| 1               | 1    | ECT26   | Rubber Switch Boot                       |
| 2               | 1    | 25015   | Switch Guard                             |
| 3               | 1    | 25065   | Decal, Forward/Off/Reverse               |
| 4               | 1    | 25010   | Switch Plate                             |
| 5               | 1    | 25005   | Detent Switch, Wired with Jumpers        |
| 6               | 4    | PHSC14  | #10-24 x 1/2" Pan Head Machine Screw     |
| 7               | 2    | SHCS11  | 5/16"-18 x 1" Socket Head Cap Screw      |
| 8               | 1    | 25115   | Switch Bracket                           |
| 9               | 1    | 25060   | Air Foot On/Off Switch                   |
| 10              | 1    | 25073   | Foot Pedal Assembly with Clamp           |
| <b>11</b>       | 1    | 25020K  | Switch Housing Assy.with Decals          |
|                 | 1    | 25020   | Switch Housing                           |
|                 | 1    | 25015   | Switch Guard                             |
|                 | 1    | 25067   | Decal, Foot Switch Danger                |
| 12              | 2    | D25000  | Decal, Machine Logo                      |
| 13              | 1    | 25100   | Head Casting                             |
| 14              | 1    | 25106   | Head Bearing, Nylatron Assembly          |
| 15              | 1    | SHCS15  | 3/8"-16 x 3/4" Socket Head Cap Screw     |
|                 | 1    | WA10    | 3/8 Split Lock Washer                    |
| 16              | 1    | 25105   | Head Bearing, Steel                      |
| 17              | 1    | 25110   | Grease Fitting                           |
|                 | 1    | CXA     | Adapter                                  |
|                 | 1    | ZERK2   | 1/4"-28 Straight Grease Zerk             |
|                 | 1    | WA12    | 13/32" x 13/16" x 1/16" Zinc Flat Washer |
| <b>18</b>       | 1    | 25030K  | Top Cover with Decals                    |
|                 | 1    | 25030   | Top Cover                                |
|                 | 1    | 25063   | Decal, Guard Danger                      |
|                 | 1    | 25066   | Decal, Step Warning                      |
|                 | 1    | 25068   | Decal, Electrical Danger                 |
| 19              | 2    | 25130   | Bushing, Top Cover                       |
| 20              | 2    | SHCS11A | 5/16"-18 x 1-1/4" Socket Cap Head Screw  |
| 21              | 1    | 25050   | Vertical Support with Grips              |
|                 | 2    | PH-1G   | Handle Grip, Black                       |
| 22              | 1    | 25125   | Collar, Reel Shaft                       |
| 23              | 20   | FLSC1   | 5/16"-18 x 3/4" Hex Head Flange Screw    |
| 24              | 24   | FLNUT3  | 5/16"-18 Hex Flange Nut, Locking         |
| 25              | 1    | 25140   | Shaft, Reel                              |

| DM10 PARTS LIST |      |         |  |
|-----------------|------|---------|--|
| Item#           | Qty. | Part#   | Description                                    |
| 27              | 1    | KEY6    | 1/4" x 1/37" Square Key                        |
|                 | 1    | KEY2    | 1/4" x 3/4" Woodruff Key (Old Style)           |
| 29              | 2    | 25095   | Mounting Plate, Bearing                        |
| 30              | 2    | SB5     | Bearing, Reel Shaft                            |
| 31              | 1    | 41010C  | Belt, 4L x 37"                                 |
| 32              | 1    | 41010A  | Sheave, 4L x 1-1/2" outside diameter           |
| <b>36</b>       | 1    | 41010B  | Sheave, 4L x 11-1/4" outside diameter Assembly |
|                 | 2    | 25090   | Drive Lug Assembly                             |
|                 | 1    | 25090A  | Drive Lug                                      |
|                 | 1    | MM4     | Drive Lug Cap, Red                             |
|                 | 1    | WA10    | 3/8" Split Lock Washer                         |
| 37              | 1    | 25120   | Bushing, Reel Shaft                            |
| <b>38</b>       | 1    | 41035   | Axle Assembly                                  |
|                 | 1    | 41035A  | Axle, Finished                                 |
|                 | 2    | RRING12 | External Retaining Ring                        |
|                 | 8    | MB3     | Machine Bushing                                |
| 39              | 2    | 41060   | Wheel, 6" Solid                                |
| 40              | 1    | 41030   | Mounting Plate, Motor                          |
| 41              | 4    | FLSC9   | 5/16" -18 x 1" Hex Head Flange Screw           |
| 42              | 4    | 41044   | Stand-Off, Motor Plate                         |
| 43              | 12   | WA15    | 1/3" x 3/4" x 0.7" Stainless Steel Flat Washer |
| 44              | 1    | 41005   | Motor, 1/3 HP                                  |
| 45              | 1    | 25165   | GFCI Cord                                      |
| 46              | 1    | ECT34   | Strain Relief, 90 degree Snap Elbow            |
|                 | 1    | ELN1    | 1/2" -14 NPT (National Pipe Thread) Lock Nut   |
| 47              | 1    | ECT30   | 1/2" Strain Relief, Straight                   |
|                 | 1    | ELN1    | 1/2" -14 NPT (National Pipe Thread) Lock Nut   |
| <b>48</b>       | 1    | ECT34   | Strain Relief, 90 degree Snap Elbow            |
|                 | 1    | ELN1    | 1/2" - 14 NPT (National Pipe Thread) Lock Nut  |
| 49              | 1    | D41015  | Frame Set: Right & Left Frame Painted          |
| 50              | 1    | 41009   | Guard, Motor                                   |
| <b>51</b>       | 1    | 41025   | Handle Assembly                                |
|                 | 1    | 41025-1 | Handle, Finished                               |
|                 | 2    | RLPIN12 | 3/8" diameter x 1-3/8" Roll Pin                |
|                 | 1    | MM14    | Detent Ring Pin with Lanyard Attached          |

## Mounting Instructions for Axle Assembly (DM10)

1. Properly support and raise the rear of the machine approximately 1" in height to aid in the assembly of the wheels.
2. Slide axle (41035A) through frame axle supports.
3. Place three machine bushings (MB3) on both ends of the axle, slide the machine bushings until flush with the axle supports.
4. Place one wheel (41060) over each end of the axle, slide the wheels until they are flush with the machine bushings and axle supports.
5. Centering the axle, place the remaining machine bushings over both ends of the axle until flush with the wheels (see \*note).
6. Attach "E" ring clips (RRING12) into the axle grooves as shown.

| PARTS LIST |         |                      |
|------------|---------|----------------------|
| Qty.       | Part#   | Description          |
| 1          | 41035A  | Axle, Finished       |
| 2          | 41060   | Wheel, Solid 6" Dia. |
| 2          | RRING12 | "E" Ring Clip        |
| 8          | MB3     | Bushings, Machine    |
| 6          | MB2     | Bushings, Machine    |



**\*NOTE:**

Earlier models may require the use of MB2 machine bushing and MB3 machine bushings (MB2 are thinner than MB3 bushings).