

DM125

For 1-1/4" to 2" Lines

The powerful DM125 plumbing snake tackles small residential drains, sinks pipes, bathtub and shower drains.

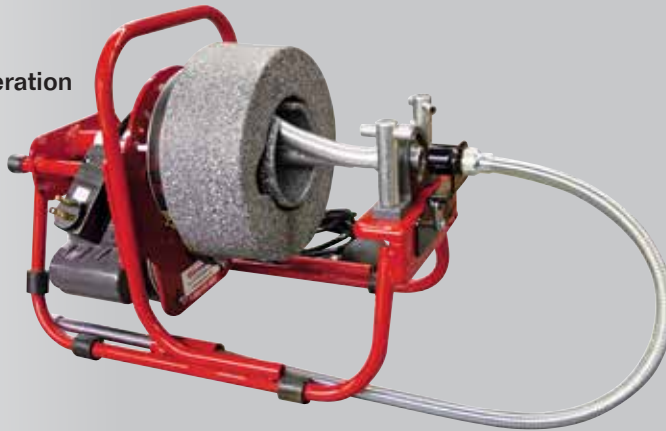


Specifications:

- 1/6 HP motor
- 230 RPM

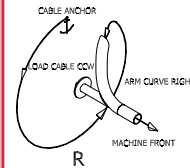
Features:

- Vertical or Horizontal Operation
- Guide Tube & Bracket
- Ground Fault Circuit Interruptor
- Standard Safety Air Foot Pedal
- Available with 8" reel



Machine Specifications (estimated)

Length	
Standard Machine	20"
Width	
With 14" reel (standard)	10"
Height	
With 14" reel (standard)	15-1/4"
Weight	
Machine	22.5 lbs.
14PRK reel	6.25 lbs.
Arms	
25RA	8" reel



This is the standard arm that comes with this machine package.

The DM125 plumbing snakes heavy-duty casted self-aligning head bearing ensures that the reel stays in place. A GFCI, Safety Air Foot Pedal, and through-the-frame wiring maintain the safety of the operator. The DM125 plumber snake operates in the horizontal or vertical positions. It includes a guide tube and bracket to run cable without scratching surfaces. The non-marring pads also eliminate marks made on the floor.

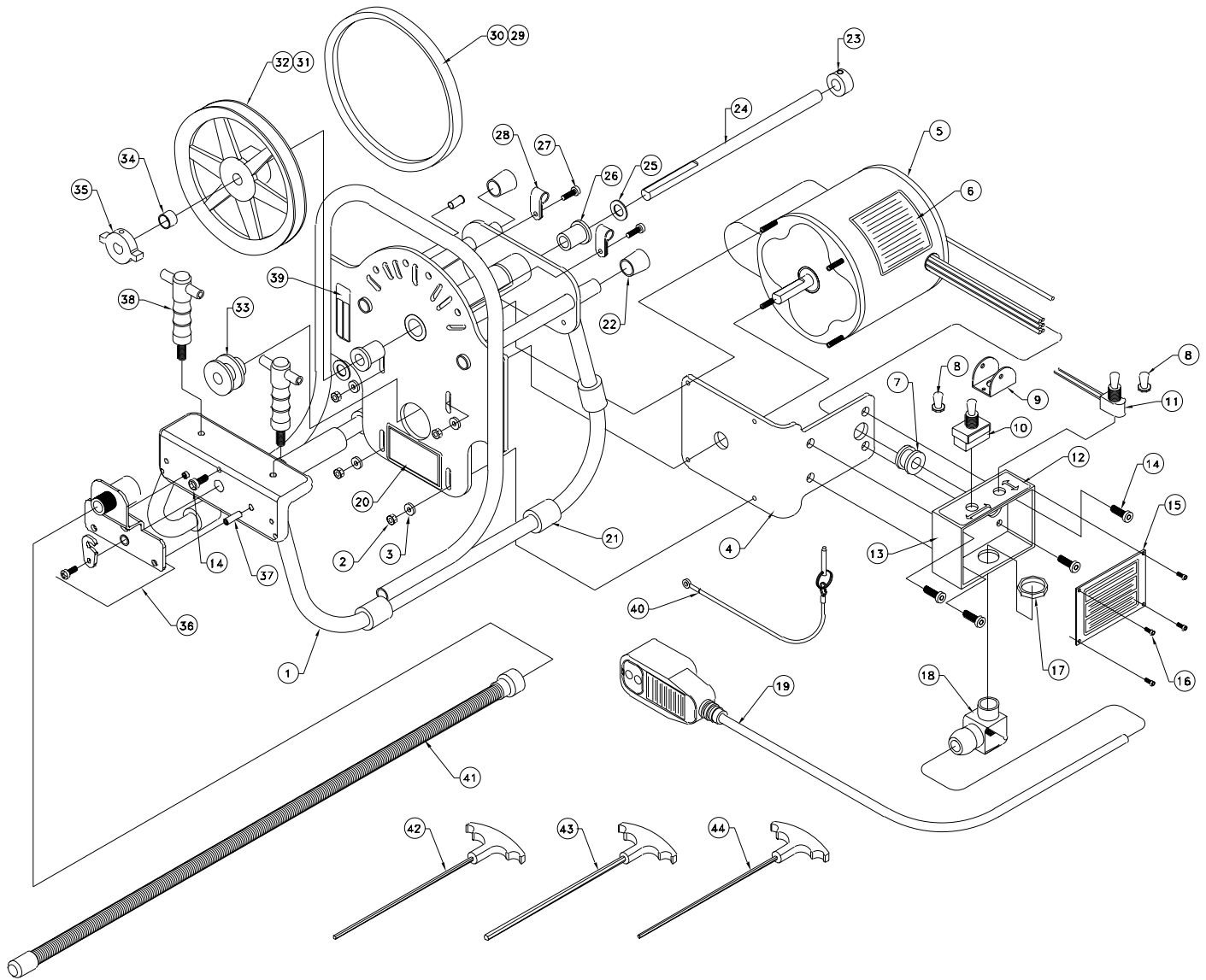
DM125

Item	Item Description
DM125A	1/6 HP motor at 230 RPM, air foot pedal, 8" enclosed polyethylene reel, 1/4" x 37' cable
DM125B	1/6 HP motor at 230 RPM, toggle on/off switch, 8" enclosed polyethylene reel, 1/4" x 37' cable
DM125C	1/6 HP motor at 300 RPM, air foot pedal, 8" enclosed polyethylene reel, 1/4" x 37' cable
DM125D	1/6 HP motor at 300 RPM, toggle on/off switch, 8" enclosed polyethylene reel, 1/4" x 37' cable

MACHINE ACCESSORIES / REPLACEMENT PARTS

Item	Item Description
11006	1/6 HP motor
25001	Toggle On/off Switch
25074	Air Foot Pedal (rubber) with 10' Tubing
25061	Air Switch with Strain Relief Nut
25003	Forward/Reverse Switch
25216	Guide Tube
11036	Guide Tube Bracket Assembly
8PRK	8" Enclosed Polyethylene Reel with Inner Reel and Head Bearing

DM125 Plumbing Snake with Toggle on/off Switch



DM125



The entire line item in **bold** identifies the name of an entire assembly. The “Z” shaped arrow identifies all the parts that make up that assembly. You can purchase the entire assembly, or just the individual parts.

DM125 PARTS LIST			
Item#	Qty.	Part#	Description
1	1	D11016	Frame, Red
2	4	HXNUT27	#8-32 Hex Nut with Lock Washer
3	4	WA41	#8 Flat Washer
4	1	11025	Electrical Mounting Plate
5	1	11006	1/6 HP Motor
6	1	25212	GFCI / Rotating Danger Decal
7	1	MM23	Black Rubber Grommet
8	2	ECT26	Rubber Switch Boot
9	1	25015	Switch Guard
10	1	25003	Forward/Reverse Switch
11	1	25001	On/Off Switch
12	1	25069	Decal, Forward/Reverse with On/Off
13	1	11030	Electrical Housing
14	5	SHCS31	1/4"-20 x 3/4" Socket Head Cap Screw
15	1	11031	Electrical Cover with Decal
16	1	25211	Rotating Warning Decal
16	4	SHCS39	#4-40 x 5/16" Socket Head Cap Screw
17	1	ELN1	Electrical Nut, 1/2" National Pipe Thread (NPT)
18	1	ECT34	1/2" Strain Relief, 90° Snap Elbow with Dome Nut
19	1	25166	GFCI Cord, 16/3 x 22"
20	2	D25000	Machine Logo Decal
21	6	MM19	Black Rubber Frame Pad
22	2	CPLUG4	Black Rubber Frame Cap
23	1	MM20	Shaft Collar with Set Screw
24	1	11020	Reel Shaft
25	2	MB4	Reel Shaft Bushing

Part # URS1, with the optional light kit, Part # URS1-L

DM125 PARTS LIST			
Item#	Qty.	Part#	Description
26	2	SB16	Reel Shaft Bearing
27	2	PHSC6	#10-32 x 5/8" Pan Head Machine Screw
28	2	CCL1	Black Cable Clamp
29	1	81010C	4L220 Belt – 300 RPM
30	1	11012C	4L240 Belt – 230 RPM
31	1	11010B	Sheave, 4L x 6.0" Outside Diameter – 300 RPM
32	1	11012B	Sheave, 4L x 7.0" Outside Diameter – 230 RPM
33	1	11010A	Sheave, 4L x 1.5" Outside Diameter
34	1	11014	Drive Dog Spacer
35	1	11013	Drive Dog with Set Screw
36	1	11036	Guide Tube Bracket
37	1	PHSC6	#10-32 x 5/8" Pan Head Machine Screw
38	1	MM34	Swing “C” Washer
37	2	RLPIN7	1/4" x 5/8" Roll Pin
38	2	MM36	T-Bolt
39	1	SNTAG	Serial Number Tag
40	1	MM38	Detent Ring Pin with Lanyard Attached
41	1	25216	Guide Tube, 36"
42	1	HKEY11	5/32" x 9.0" T-Handle Hex Key
43	1	HKEY10	3/16" x 9.0" T-Handle Hex Key
44	1	HKEY9	1/8" x 9.0" T-Handle Hex Key