

DM150

For 1-1/4" to 4" Lines

The DM150 pipe snake is a compact pivot machine that has 5 locked positions that it can operate in which makes this perfect for a variety of jobs. The Pivot pipe snake machine matching the needs for residential, sinks, bathtubs, shower drains, roof vents, and floor drains.



Specifications:

- 1/6 HP gear-driven motor
- 230 RPM

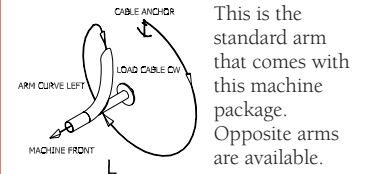
Features:

- Ground Fault Circuit Interruptor
- Machine Cart
- Standard Safety Air Foot Pedal
- Available with 8" or 14" reels



Machine Specifications (Estimated)

Length	
Standard	17"
Width	
Standard	20"
Height	
with reel	16"
Weight	
Machine	34 lbs.
14PROK	8.25 lbs.
Arms	
38RAW-L	3/8" cable
50RAW-L	1/2" cable



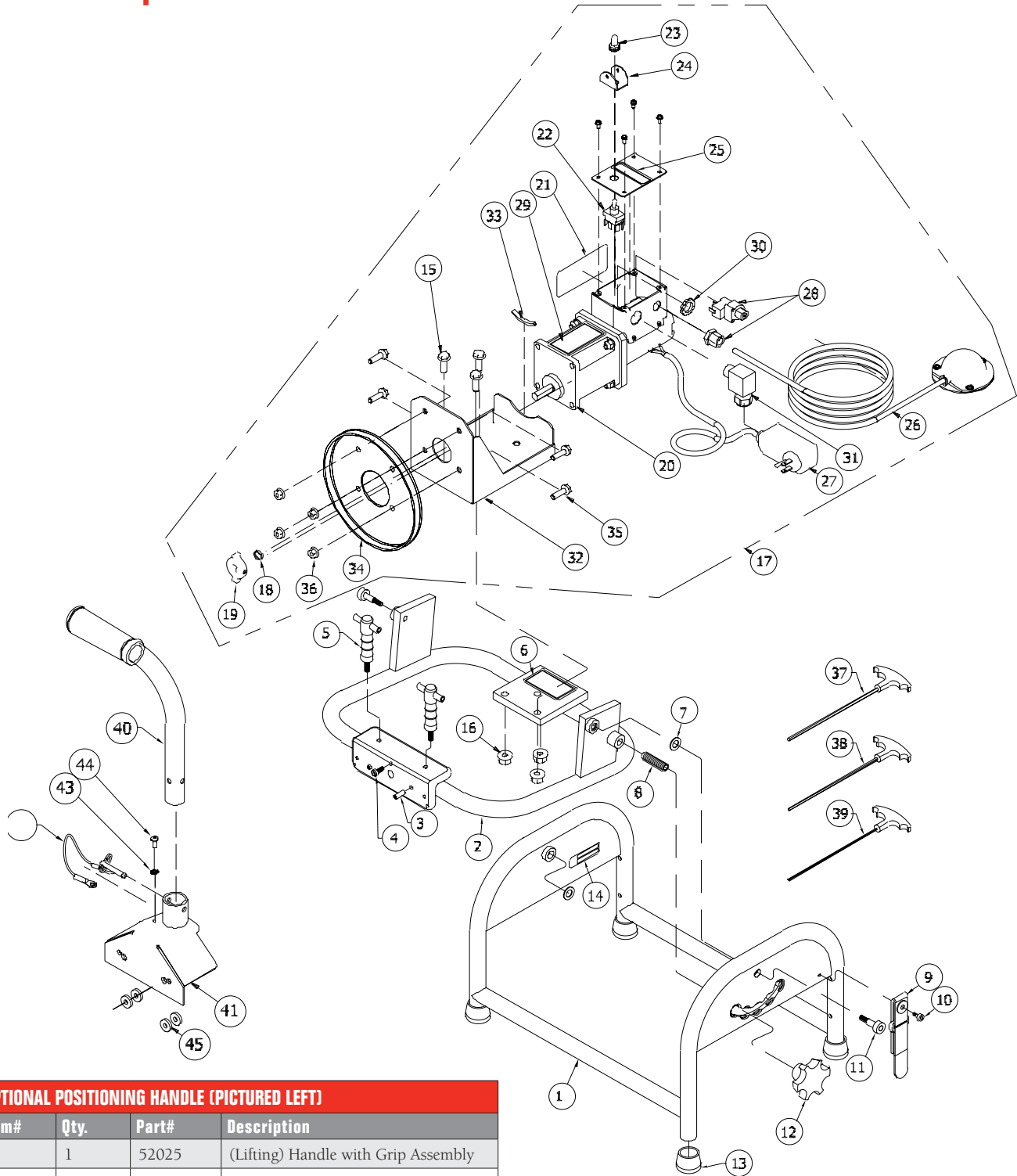
The DM150 pipe snake powerhouse drain cleaning machine performs in a variety of jobs. The d-shaft motor gives this drain snake extra torque to push through an obstructions. The machine operates in 5 positions secure positions (0 to 90 degrees). The DM150 sewer snake transports easily with a pipe snake cart, or an optional lifting handle which can be added to the machine. The quick-change reel also allows an operator to run two different sized cable in just minutes. The DM150 pipe snake now features a D-Shaft which eliminates key-shearing. Other new improvements include a larger inner reel which helps prevent the cable from flipping or nesting.



DM150	
Item	Item Description
DM150A2	1/6 HP motor at 230 RPM, two 14" oversized enclosed polyethylene reels, one 14" enclosed polyethylene reel, machine cart, 1/2" x 75' cable, 3/8" x 75' cable
DM150A1	1/6 HP motor at 230 RPM, one 14" enclosed polyethylene reel, 3/8" x 75' cable
DM150A	1/6 HP motor at 230 RPM, one 14" oversized enclosed polyethylene reel, 1/2" x 75' cable
DM150B1	1/6 HP motor at 230 RPM, one 8" enclosed polyethylene reel, 1/4" x 37' cable
DM150C1	1/6 HP motor at 230 RPM, one 8" enclosed polyethylene reel, 1/4" x 37' cable, one 14" enclosed polyethylene reel, 3/8" x 75' cable
DM150A3	1/6 HP motor at 230 RPM, one 14" oversized enclosed polyethylene reel, 1/2" x 75' cable, one 14" polyethylene reel, 3/8" x 75' cable, one 14" machine cart

MACHINE ACCESSORIES / REPLACEMENT PARTS	
Item	Item Description
52005	1/6 HP Gear-Driven Motor
25074	Air Foot Pedal (rubber) with 10' Tubing
25061	Air Switch with Strain Relief Nut
52025K	Lifting Handle with Grip and Handle Bracket
25216	Guide Tube
11036	Guide Tube Bracket Assembly
8PRK	8" Enclosed Polyethylene Reel Kit
52040	Machine Cart (optional)
14PRWLK	14" Enclosed Polyethylene Reel Kit (left arm)
14PRWRK	14" Enclosed Polyethylene Reel Kit (right arm)
14PROWLK	14" Enclosed Polyethylene Reel Kit (left arm)
14PROWRK	14" Enclosed Polyethylene Reel Kit (right arm)
52047K	Mobility Kit (WHEELS & TOW HANDLE)
780000	Mini Power Cable Feed and Return
38RAW-L	Left Revolving Arm Kit for 3/8" cable
50RAW-L	Left Revolving Kit for 1/2" cable

DM150 Pipe Snake



OPTIONAL POSITIONING HANDLE (PICTURED LEFT)

Item#	Qty.	Part#	Description
40	1	52025	(Lifting) Handle with Grip Assembly
41	1	52024	(Lifting/Pulling) Handle Bracket
42	1	JWKL	Detent Ring with Attached Lanyard
43	1	WA5	#10 External Tooth Lock Washer
44	1	PHSC14	#10-24 x 1/2" Pan Head Screw
45	4	WA8	5/16" ID Flat Washer

DM150 Pipe Snake

DM150 (PIVOT) PARTS LIST			
Item#	Qty.	Part#	Description
1	1	D52014	Base Frame, Red
2	1	D52013	Pivot Frame, Red
3	2	RLPIN7	1/4" x 5/8" Roll Pin
4	1	SHCS31	1/4"-20 x 3/4" Socket Head Cap Screw
5	2	MM36	T- Bolt
6	1	D25000	Machine Logo Decal
7	2	MB4	Machine Bushing
8	1	CPSS18	1/2"-13 x 2.0" Socket Head Set Screw
9	1	CTIE5	Velcro Cord Strap
10	1	SKTS2	5/16"SD x 1/4"SL x 1/4"-20 Shoulder Screw
11	2	SKTS3	1/2"SD x 3/4"SL x 3/8"-16 Shoulder Screw
12	1	KNOB5	Aluminum Palm Knob
13	4	CPLUG6	Black Rubber Frame Cap
14	1	SNTAG	Serial Number Tag
15	3	FLSC15	3/8"-16 x 1.0" Hex Head Flange Screw
16	3	FLNUT4	.375-16 Hex HD Flange Nut
17	1	52005S	Replacement Motor Assembly - complete
18	1	11014	Drive Dog Spacer
19	1	11013	.5" D-Shaft Drive Dog
20	1	52005SA	Specialty .18hp DC Gearmotor & Conduit Box
21	1	25211	Rotating Warning Decal
22	1	25006	Forward/Off/Reverse Switch
23	1	ECT26	Rubber Switch Boot
24	1	25015	Switch Guard
25	1	25069	Forward/Reverse with On/Off Decal
26	1	25074	Rubber Air Foot Pedal with 10' tubing
27	1	25166	GFCI Cord, 16/3" x 22"
28	1	25061	On/Off Air Switch with Strain Relief Nut
29	1	25212	GFCI/Rotating Danger Decal
30	1	ELN1	Electrical Nut, 1/2" NPT (National Pipe Thread)
31	1	ECT34	1/2" Strain Relief, 90° Snap Elbow with Dome Nut
32	1	52015	Specialty Motor Mount Bracket
33	1	MM51	.109 X .19 X 2 In Sheet Metal Edge Trim
34	1	25020	Specialty Motor Drum Guard
35	4	FLSC9	.312-18 X 1 Flange Hex Screw
36	4	FLNUT3	.313-18 Flange Hex Nut
37	1	HKEY10	3/16" x 9.0" T-Handle Hex Key
38	1	HKEY11	5/32" x 9.0" T-Handle Hex Key
39	1	HKEY9	1/8" x 9.0" T-Handle Hex Key