

Power Cable Feed and Return

The Power Cable Feed and Return (PCFR) runs long lengths of cable into and out of lines.

Standard Package

The PCFR is standard on Model DM175, DM162, DM55, DM30, and is an option on Model DM10.

PCFR



Adjusting PCFR by Cable Size

- Cable 3/4" - 6 Sizing Plates per Block
- Cable 11/16" - 5 Sizing Plates per Block
- Cable 5/8" - 4 Sizing Plates per Block
- Cable 1/2" - 2 Sizing Plates per Block
- Cable 13/32" - 1 Sizing Plate per Block
- Cable 3/8" - 0 Sizing Plates per Block

PCFR	
Part#	Description
PCFR	PCFR Complete Unit
PCFR23SER	PCFR Piston Kit
PCFR22SER	PCFR Bearing Kit
PCFR80K	PCFR Adapter Kit for DM55, DM30 and DM10

Mini PCFR

The Mini Power Cable Feed and Return is designed for the J-Maxx, DM150 and DM138 machines. Feeds cable from 5/16" to 1/2" diameter.

780000

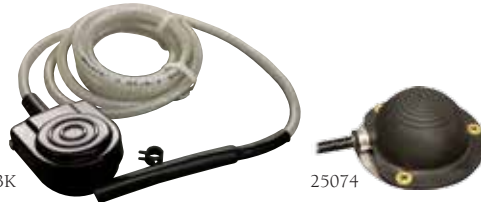


MINI PCFR	
Part#	Description
780000	Mini Power Cable Feed and Return
780005K	Mini Power Cable Feed and Return Piston Kit
SB23K	Mini Power Cable Feed and Return Bearing Kit

Air Foot Pedal

25073K

25074



AIR FOOT PEDAL	
Part#	Description
25073K	Metal Air Foot Pedal with 8' tubing and clamp
25074	Rubber Air Foot Pedal with 10' tubing

GFCI



GFCI	
Part#	Description
GFC123	GFI Cord
25160	Field Attachment GFCI, 15 amp, 12 gauge repair kit
25165	26" GFCI Cord, 15 amp, 12 gauge right angle
25166	Right Angle, 15A Black
25172	Right Angle, 15A Black-9000 model
R96265	Strain Relief for GFCI Cord (Model K7500 machine)
R27187	Strain Relief for GFCI Cord (Model K3800 machine)
R72002	GFI Cord (K-40 machine), 15 amp, 16 gauge

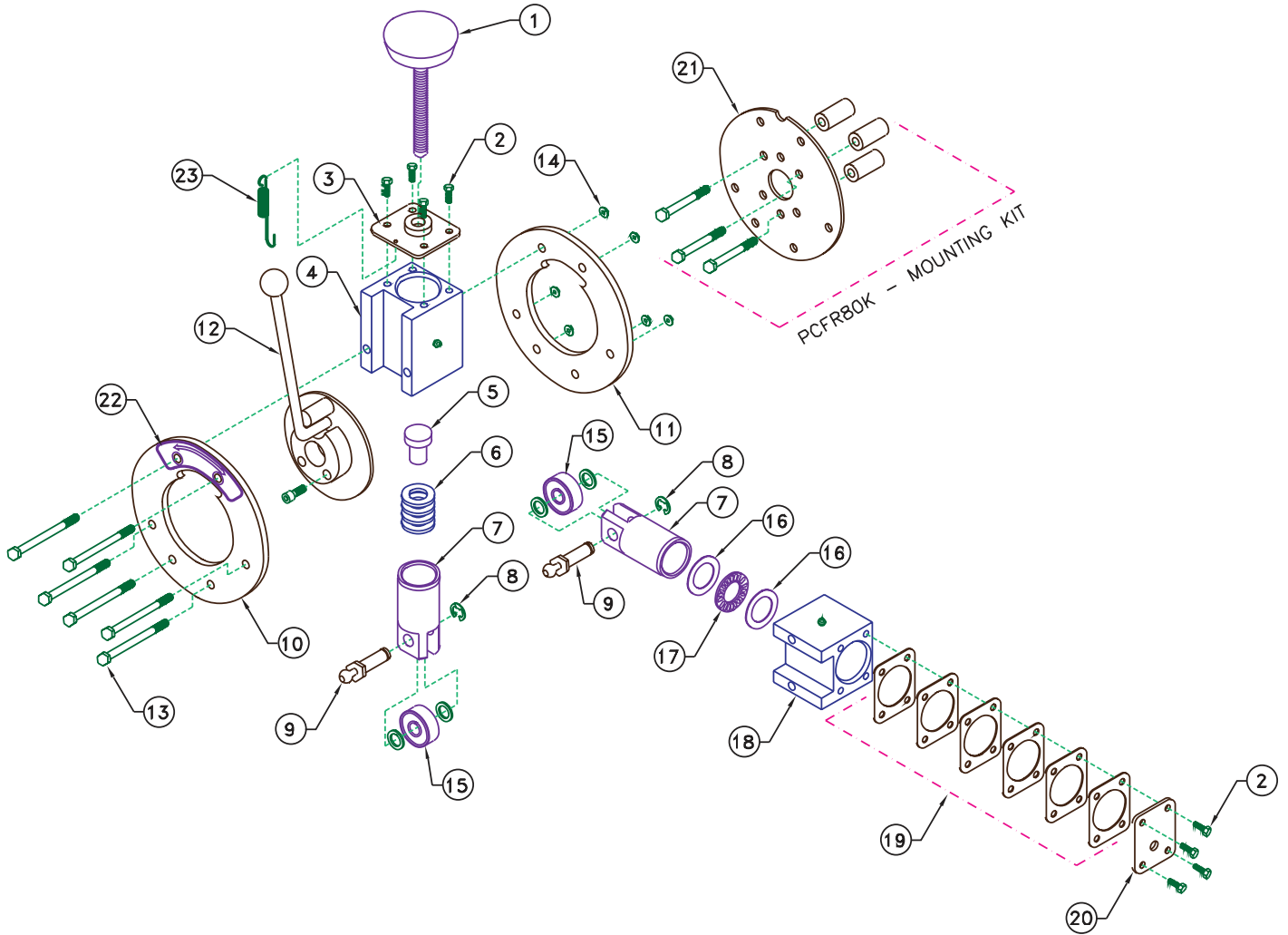
Wheels



WWK10 (left) and NWK10 (right)

WHEELS	
Part#	Description
NWK10	10" Narrow Wheels for DM55 and DM30
WWK10	10" Wide Wheels for DM55 and DM30
25220	10" Wheels for DM175
WWKU	10" Wide Wheel Kit for DM175

Power Cable Feed and Return



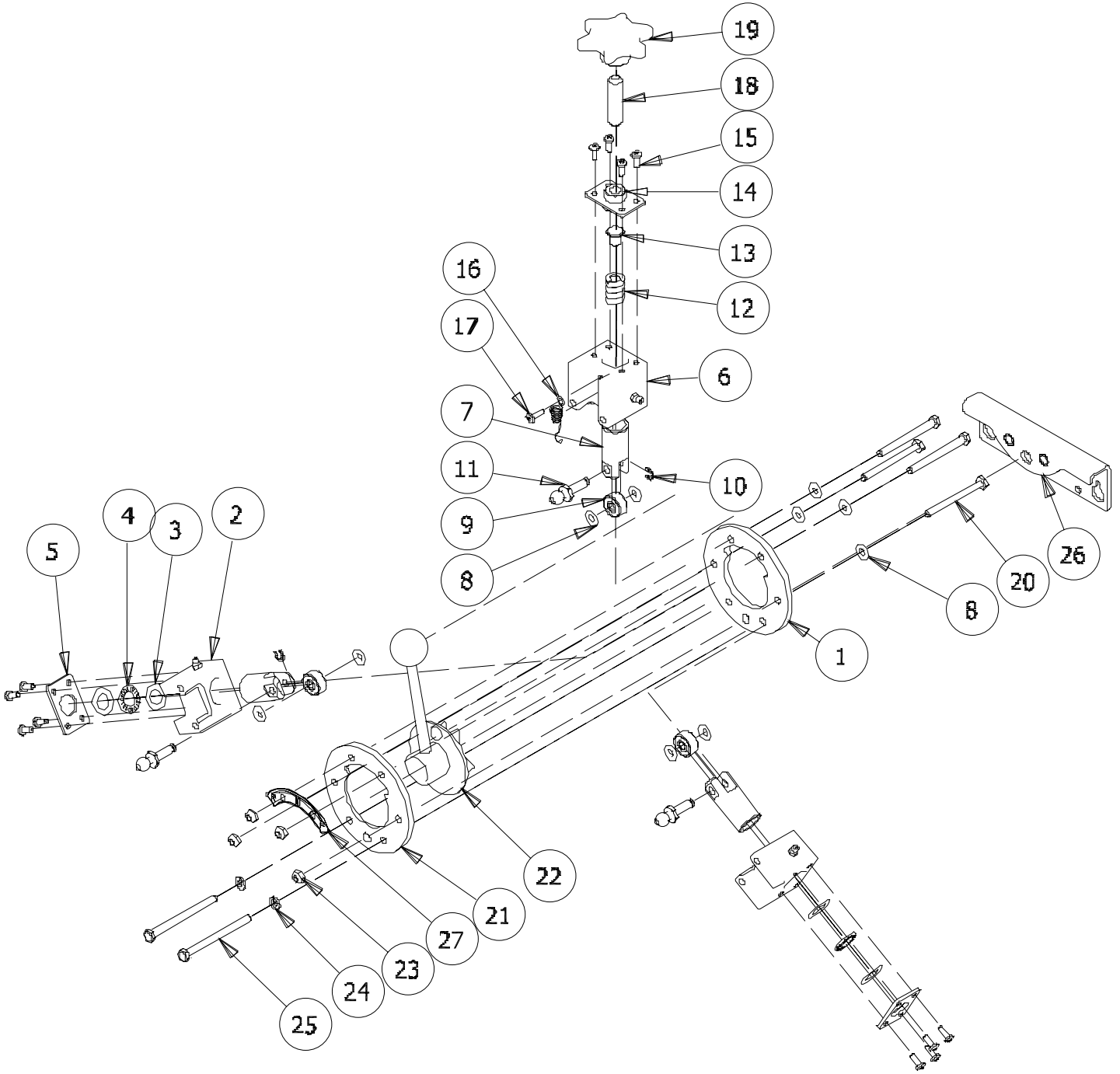
Power Cable Feed and Return



The entire line item in **bold** identifies the name of an entire assembly. The “Z” shaped arrow identifies all the parts that make up that assembly. You can purchase the entire assembly, or just the individual parts.

PCFR PARTS LIST			
Item#	Qty.	Part#	Description
1	1	KNOB3	Knob, Pressure Control
2	12	HHCS29	1/4"-20 x 3/4" Hex Head Cap Screw
3	1	PCFR15	Pressure Plate, Upper
4	1	PCFR13	Housing Block, Upper
5	1	PCFR17	Spring Pad
6	1	PCFR16	Compression Spring
7	3	PCFR14	Piston, Upper and Lower
8	3	RRING1	External "E" Ring
9	3	PCFR25	Rotation Pin
10	1	PCFR10	Mounting Disc, Front
11	1	PCFR11	Mounting Disc, Rear
12	1	PCFR12	Direction Disc Assembly
	1	PCFR12E	Direction Disc
	1	KNOB2	Knob, Black Plastic
	1	PCFR33	Wear Ring
	2	SHCS6	1/4"-28 x 5/8" Socket Head Cap Screw
13	6	HHCS12	5/16"-18 x 3-1/2" Hex Head Cap Screw
14	6	FLNUT3	5/16"-18 Hex Flange Nut, Locking
15	3	PCFR22SER	PCFR Bearing Kit
	1	SB1	Drive Bearing
	2	WA20	Machine Bushing
16	4	PCFR29	Thrust Washer
17	2	PCFR28	Thrust Bearing
18	2	PCFR18	Housing Block, Lower
19	12	PCFR20	Sizing Plate (Lower Housing Blocks Only)
20	2	PCFR21	Pressure Plate, Lower
21	1	PCFR80K	PCFR Mounting Kit
	1	PCFR80A	Adapter Plate
	3	PCFR80B	Spacers
	3	HHCS11	5/16"-18 x 2" Hex Head Cap Screw
22	1	PCFR9	Decal, Reverse/Neutral/Forward
23	1	MM35	Extension Spring
	3	PCFR23SER	PCFR Piston Kit (kit includes items #7, #8, #9, and #15)

Mini Power Cable Feed and Return



Mini Power Cable Feed and Return



The entire line item in **bold** identifies the name of an entire assembly.
The "Z" shaped arrow identifies all the parts that make up that assembly.
You can purchase the entire assembly, or just the individual parts.

PCFR PARTS LIST			
Item#	Qty.	Part#	Description
1	1	780009	Rear Plate
2	2	780001	Extruded Base Piston Housing w/Zirc3
3	4	MB5	.570 ID x .980 OD x .030 THK Thrust Washer
4	2	SB24	.566 ID x .986 OD x .078 WD Needle Thrust Bearing
5	2	780003	Base Piston Housing Back Plate
6	1	780002	Extruded Adjustable Piston Housing w/Zirc3
7	3	750005	Piston
8	10	MB6	.281 x .625 x .047 Stainless Thrust Washer
9	3	SB23	7 x 22 x 10.3 MM Roller Bearing
10	3	RRING16	7MM 'E' Clip
11	3	780006	.5 Ball Pivot Pin
12	1	SPR1	.15 x .75 x 1 Comp Spring
13	1	780007	.375 x .625 x .1875 Rest Pad
14	1	780004	Adjustable Piston Housing Backplate Weldment
15	12	PHSC13	10-24 x .5 PH Screw
16	1	SPR2	.042 DIA x 1.656 LG Expansion Spring
17	1	PHSC23	10-32 x .25 PH Screw
18	1	CPSS19	.5-13 x 2.5 Socket Set Screw
19	1	KNOB5	.5-13 x 2.75 Knob
20	4	HHCS53	.25-20 x 2.75 Hex Screw
21	1	780011	Front Plate
22	1	780008	Feed Directional Shifter Assembly Weldment w/Knob2
23	4	LN1	.25-20 Hex Lock Nut
24	2	WA22	.25 Lock Washer
25	2	HHCS54	.25-20 x 3.25 Hex Screw
26	1	780012	DM5 - J-Maxx - DM150 Mount Bracket
27	1	780010	Arc R-N-F Decal

Power Cable Feed Return | Bearing kit

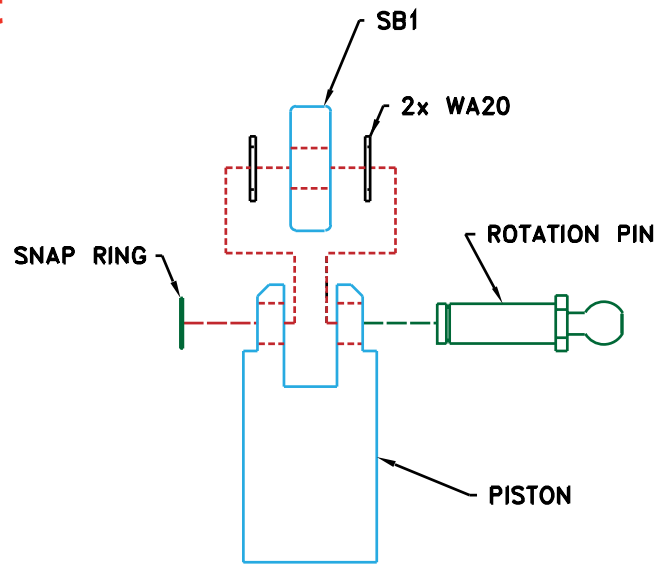
The PCFR22SER bearing kit includes the following:

- (1) SB1 Bearing
- (2) WA20 Spacers

If the PCFR was purchased and/or manufactured on or prior to 1995 or if one of the following snap ring conditions occur while installing the bearing kit;

- 1) The SB1 Bearing fits loosely on the rotation pin,
- 2) The SB1 Bearing rubs or touched the piston,
- 3) The SB1 Bearing will not rotate when installed,

Then the PCFR23SER piston kit will need to be purchased separately to complete the repair to the PCFR. It requires three (3) PCFR23SER kits to perform a complete repair.

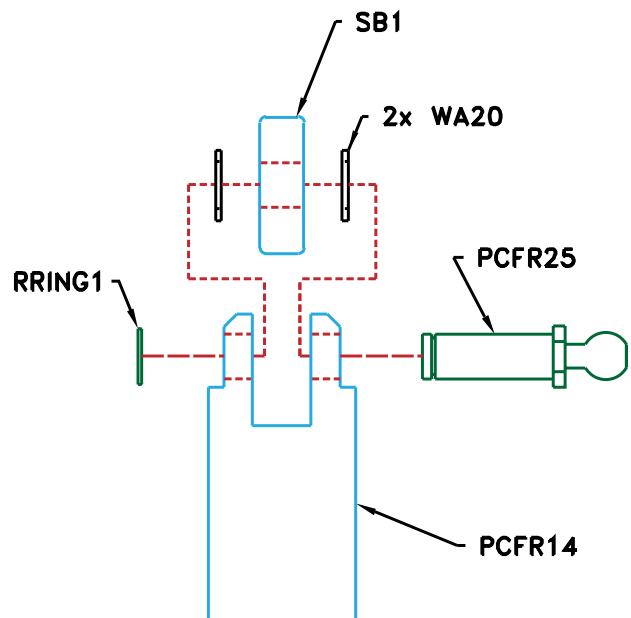


PCFR | PISTON Kit

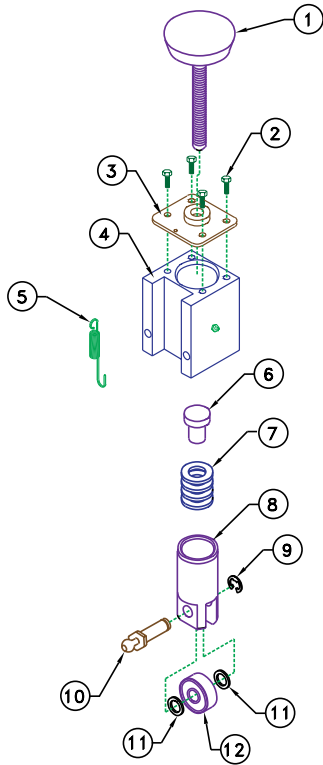
The PCFR23SER piston kit includes the following:

- (1) PCFR14 upper/lower piston
- (1) RRING1 "E"-Ring clip
- (1) SB1 Bearing
- (2) WA20 Spacers
- (1) PCFR25 rotation pin

****Three (3) PCFR23 kits are required to perform a complete repair.**



PCFR | Spring Kit



PCFR PARTS LIST			
Item#	Qty.	Part#	Description
1	1	KNOB3	Pressure Control Knob
2	4	HHCS29	1/4-20 x .75 Hex HD Cap Scrw
3	1	PCFR15	Upper Pressure Plate
4	1	PCFR13	Upper Housing Block
5	1	MM35	Extension Spring
6	1	PCFR 17	Spring Pad
7	1	PCFR16	Compression Spring
8	1	PCFR14	Upper/Lower Piston
9	1	RRING1	External "E" Ring
10	1	PCFR25	Rotation Pin
11	2	WA20	Machine Bushings
12	1	SB1	Drive Bearing

PCFR – Kit 1 = (3)(5)

PCFR – Kit 2 = (3)(4)(5)

PCFR – Kit 3 = (2)(3)(4)(5)(6)(7)(8)(9)(10)(11)(12)

PCFR – Kit 4 = All Items as Shown

Mounting Instruction

(A) Attach adapter plate to head casting:

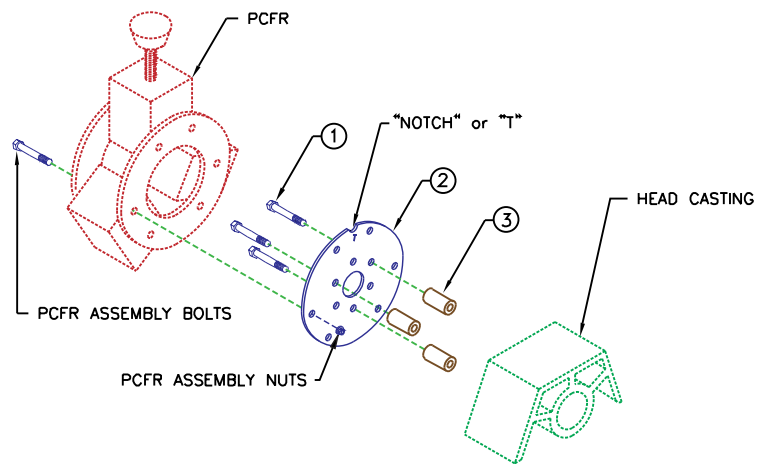
1. Place spacers (3) between head casting and adapter plate (2) as shown.
2. Use 5/16-18 x 2.000 hex bolts (1) to mount adapter plates (2) to head casting.

NOTE: (REFER TO DETAIL "A")

The adapter plate must be in the top position when mounting to the head casting. The "notch" or "T" stamped on the adapter plate indicated the top of the plate.

(B) Attach PCFR to adapter plate:

1. Remove PCFR assembly nuts from PCFR assembly bolts.
(Do not remove bolts or rear disc from PCFR.)
2. Align PCFR assembly bolts w/corresponding adapter plate holes.
3. Replace PCFR assembly nuts and tighten.



PARTS LIST			
Item#	Qty.	Part#	Description
3	3	PCFR80B	Spacers
2	1	PCFR80A	Adapter Plate
1	3	HHCS11	5/16 – 18 x 2.000 Bolt