

## Power Cable Feed and Return

The Power Cable Feed and Return (PCFR) runs long lengths of cable into and out of lines.

### Standard Package

The PCFR is standard on Model DM175, DM162, DM55, DM30, and is an option on Model DM10.

PCFR



### Adjusting PCFR by Cable Size

- Cable 3/4" - 6 Sizing Plates per Block
- Cable 11/16" - 5 Sizing Plates per Block
- Cable 5/8" - 4 Sizing Plates per Block
- Cable 1/2" - 2 Sizing Plates per Block
- Cable 13/32" - 1 Sizing Plate per Block
- Cable 3/8" - 0 Sizing Plates per Block

PCFR	
Part#	Description
PCFR	PCFR Complete Unit
PCFR23SER	PCFR Piston Kit
PCFR22SER	PCFR Bearing Kit
PCFR80K	PCFR Adapter Kit for DM55, DM30 and DM10

## Mini PCFR

The Mini Power Cable Feed and Return is designed for the J-Maxx, DM150 and DM138 machines. Feeds cable from 5/16" to 1/2" diameter.

780000



MINI PCFR	
Part#	Description
780000	Mini Power Cable Feed and Return
780005K	Mini Power Cable Feed and Return Piston Kit
SB23K	Mini Power Cable Feed and Return Bearing Kit

## Air Foot Pedal

25073K



25074



AIR FOOT PEDAL	
Part#	Description
25073K	Metal Air Foot Pedal with 8' tubing and clamp
25074	Rubber Air Foot Pedal with 10' tubing

## GFCI



GFCI	
Part#	Description
GFC123	GFI Cord
25160	Field Attachment GFCI, 15 amp, 12 gauge repair kit
25165	26" GFCI Cord, 15 amp, 12 gauge right angle
25166	Right Angle, 15A Black
25172	Right Angle, 15A Black-9000 model
R96265	Strain Relief for GFCI Cord (Model K7500 machine)
R27187	Strain Relief for GFCI Cord (Model K3800 machine)
R72002	GFI Cord (K-40 machine), 15 amp, 16 gauge

## Wheels



25220

WHEELS	
Part#	Description
NWK10	10" Narrow Wheels for DM55 and DM30
WWK10	10" Wide Wheels for DM55 and DM30
25220	10" Wheels for DM175
WWKU	10" Wide Wheel Kit for DM175

WWK10 (left) and NWK10 (right)

## Loading Ramp

Tired of straining your back, lifting and lugging your drain cleaning machine on and off your van on every job? Invest in the loading ramp and winch system and see how easy it is to eliminate dangerous stress on your back, cut down on costly workers' compensation claims, and add years of life to your equipment. Our remote switch makes loading and unloading much safer and makes the ramp and winch system OSHA compliant for accessibility. All winches will now have a hand-held remote with a 12-foot cord instead of the switch on the frame.

Ramp and extension rollers provide support to the machine during loading and unloading, for less strain on the machine frame. Both the ramp and extension have crossbars added in the frame to create a more stable unit. A pin with lanyard is included to keep the ramp extension in the retracted position when not in use. The mount plate for the winch is now pitched at the same angle as the ramp, leading to better cable clearance as the cable unwinds and rewinds. The optional EZ-Store Shelf bolts directly onto the loading ramp frame with just four bolts and provides storage for all the extra equipment you need for a job.

LOADING RAMP UNITS					
Part#	Description	Tail	Wheel Stops	Skid	Shelf
<b>DM55</b>					
ULR001A	Loading Ramp for DM55 with winch	Short	Wheel Stops		
ULR001AA		Long	Wheel Stops		
ULR001AS		Short	Wheel Stops		Shelf
ULR001ASL		Long	Wheel Stops		Shelf
<b>DM175</b>					
ULR001B	Loading Ramp for DM175 with winch	Short	Wheel Stops		
ULR001BB		Long	Wheel Stops		
ULR001C		Short	Wheel Stops	Skid	
ULR001CC		Long	Wheel Stops	Skid	
ULR001BS		Short	Wheel Stops		Shelf
ULR001BSL		Long	Wheel Stops		Shelf
ULR001CS		Short	Wheel Stops	Skid	Shelf
ULR001CSL		Long	Wheel Stops	Skid	Shelf
<b>K7500</b>					
ULR001D	Loading Ramp for K7500 with winch	Short	Wheel Stops	Skid	Shelf
ULR001DD		Long	Wheel Stops	Skid	Shelf
ULR001DS		Short	Wheel Stops	Skid	Shelf
ULR001DSL		Long	Wheel Stops	Skid	Shelf
LOADING RAMP ACCESSORIES					
Part#	Description				
ULR002	Universal Loading Ramp				
LR074	Loading Ramp Winch				
LR077	Short Tail Piece for Ramp (2 rollers)				
LR078	Long Tail Piece for Ramp (4 rollers)				
LR007	Rollers for Tail Piece Section				
UEZ01	Ramp Shelf				
82090	Wheel Stops for DM55				
92090	Wheel Stops for DM175				
90080	Ramp Skid with lifting eye for DM175 machine				
92080	Ramp Skid for DM175 machine				
LR075	Hand Held Remoted with 12-foot cord				



Loading Ramp with EZ-Store Shelf

Long tail is shown  
Short tail is 2 rollers



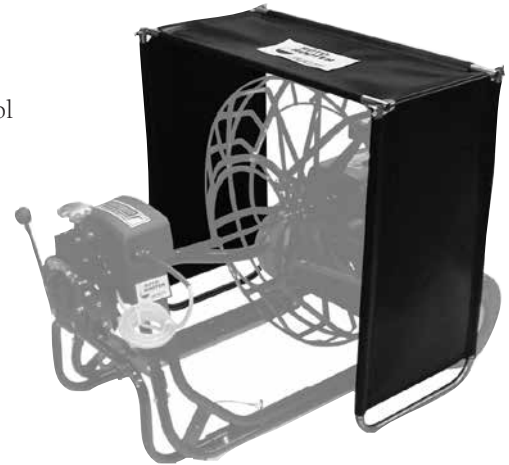
Hand-held remote control (Part# LR075) for the loading ramp.

# MACHINE ACCESSORIES

## Reel Shield

The Reel Shield helps keep the mess to a minimum when you are operating a machine with an open reel. By placing the Reel Shield over the reel, you can control any splatter which helps make cleanup easier after the job is complete.

REEL SHIELD	
Part#	Description
RS1	Reel Shield



## Reel Cart

The Reel Cart (Part# 25200) is a hand dolly with stair climbers to help you transport your reels. The reel cart is a safety measure to transport the reel with cable separately from the sewer drain snake.



REEL CART	
Part#	Description
25200	Reel Cart for 21" - 27" reels

## Reel Covers

Reel covers are designed for use with our open spoke reels to decrease the amount of splatter while operating your drain machines. These covers help keep the work area cleaner.

REEL COVERS	
Part#	Description
DRC14	14" Reel Cover
DRC16	16" Reel Cover
DRC19	19" Reel Cover
DRC21	21" Reel Cover
DRC26	26" Reel Cover
DRCJ	26" Oversized Reel Cover



WHEEL COVERS	
Part#	Description
CW001	Wheel Covers (25/box)
SHOE COVERS	
Part#	Description
CS001	Shoe Covers (50/box)
COVERALLS	
Part#	Description
COVERALLXL	Disposable Coverall - XL
COVERALLXXL	Disposable Coverall - XXL
COVERALLXXXL	Disposable Coverall - XXXL
GLOVES	
Part#	Description
RGLOVE	Green Rubber Glove
PREM. GLOVES	Premium Leather Gloves
GL002	Blue 5 mil Nitrile Glove, Large (Box of 100)
GL003	Blue 5 mil Nitrile Glove, X-Large (Box of 100)
LGLOVE	Leather Gloves with Safety Cuff
UGLOVE	Ugly Glove Rough Coated PVC with Band Top
UGLOVE1	Ugly Glove Routh Coated PVC with 12" gauntlet
MITTPR	Leather Mitt Pair, w/Steel Staple Palm
R59205	Leather Mitt, w/Steel Staple Palm, Left
R59295	Leather Mitt, w/Steel Staple Palm, Right



COVERALLXL



RGLOVES



PREM. GLOVES



UGLOVE



GL002



LGLOVE



MITTPR