

## DM55

For 2" to 10" Lines

The DM55 drain snake original sled-style sewer pipe snake delivers plenty of power to clean main lines, industrial, commercial, residential, floor drains, grease and roots.

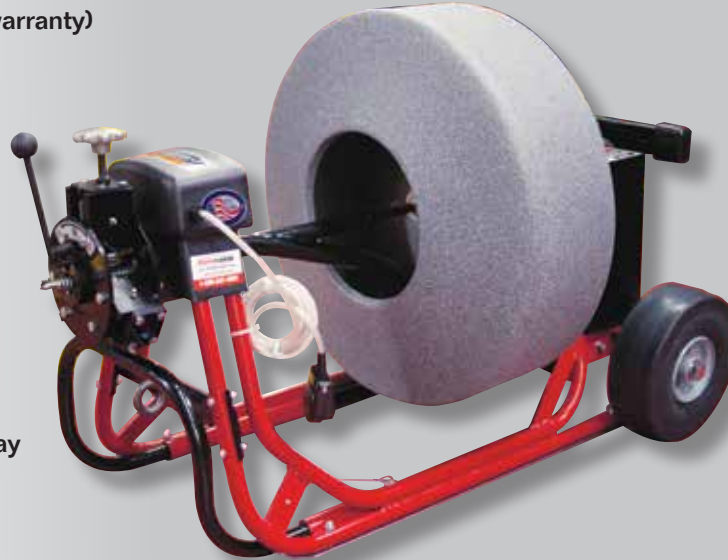


### Specifications:

- 3/4 HP motor (2-year warranty)
- 175 RPM

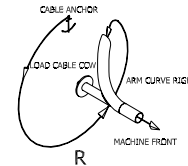
### Features:

- Power Cable Feed and Return
- Telescoping Handle
- Ground Fault Circuit Interruptor
- Standard Safety Air Foot Pedal
- 10" Wide Wheels
- Fits through 30" doorway
- Available with 21", 26", or 26" oversized reels



### Machine Specifications (estimated)

<b>Length (handle retracted)</b>	
With PCFR	45"
<b>Width</b>	
With wheels (standard)	24.5"
With wheels (wide)	26.5"
<b>Height</b>	
With PCFR	23.25"
<b>Weight</b>	
Machine	104 lbs.
26PR reel w/ 10' tail piece	24.7 lbs.
PCFR	12 lbs.
Wheels (standard)	12.5 lbs.
Wheels (wide)	11.5 lbs.
<b>Arms</b>	
82RAS	21" and 26" reels



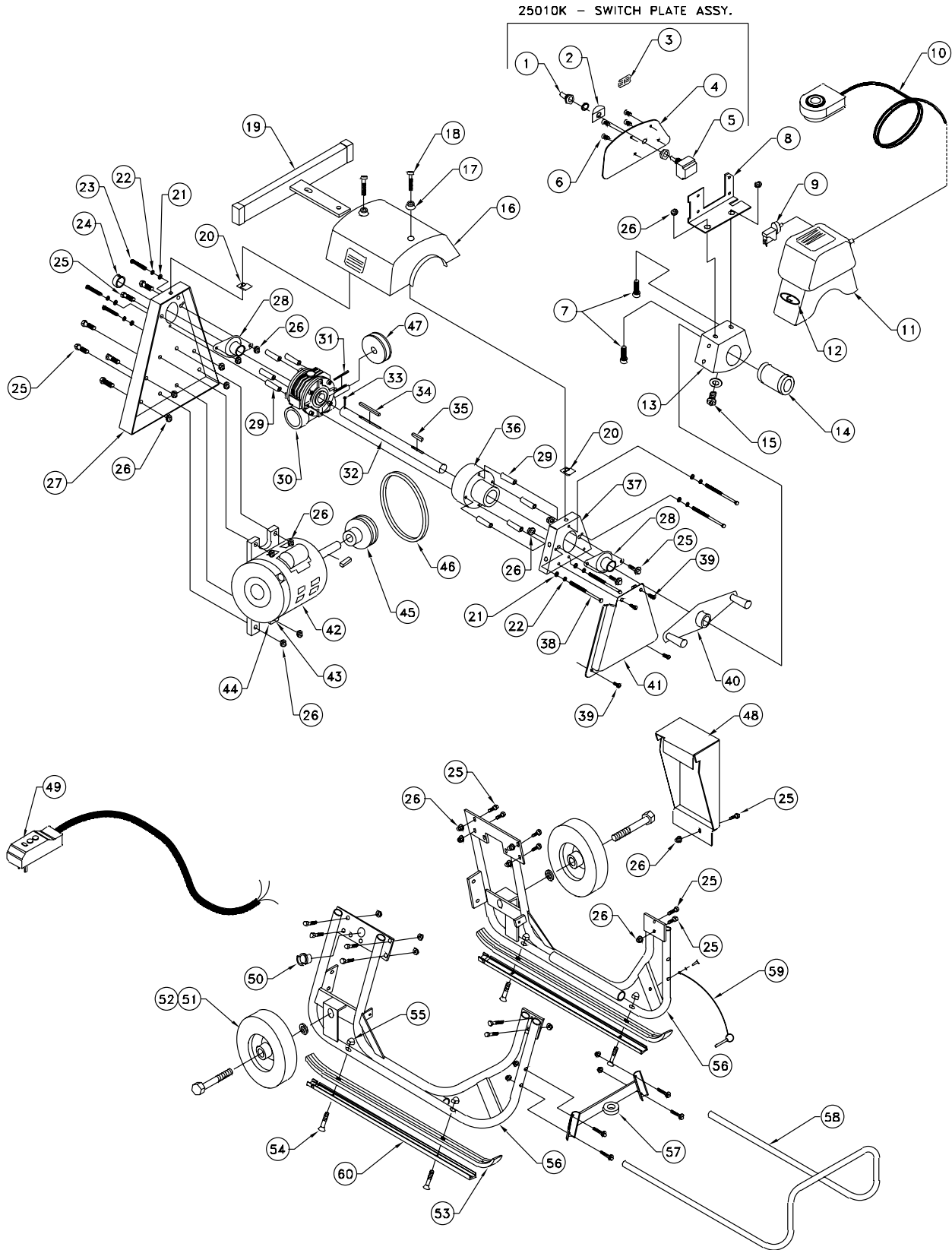
This is the standard arm that comes with this machine package.

The DM55 drain snake features a continuous welded aluminum alloy frame stronger than steel. Drain cleaning service technician's operate the D55 sewer snake vertically or horizontally. The electrical wiring is run inside the frame protecting the operator and the drain cleaning cable machine. The winch hook on the frame makes it easy to lift the machine with a loading ramp or crane.

DM55	
Item	Item Description
<b>Metal Reel Packages</b>	
DM55 SP	3/4 HP motor at 175 rpm with PCFR, 26" open spoke metal reel, 11/16" x 110' cable
DM55 SP-1	3/4 HP motor at 175 rpm without PCFR, 26" open spoke metal reel, 11/16" x 110' cable
DM55 SPE	3/4 HP motor at 175 rpm with PCFR, 26" enclosed metal reel, 11/16" x 110' cable
DM55 SPE-1	3/4 HP motor at 175 rpm without PCFR, 26" enclosed metal reel, 11/16" x 110' cable
DM55 SPJ	3/4 HP motor at 175 rpm with PCFR, 26" jumbo open spoke metal reel, 11/16" x 150' cable
DM55 SPJ-1	3/4 HP motor at 175 rpm without PCFR, 26" jumbo open spoke metal reel, 11/16" x 150' cable
<b>Polyethylene Reel Packages</b>	
DM55 SPO	3/4 HP motor at 175 rpm with PCFR, 26" oversized enclosed polyethylene reel, 11/16" x 150' cable
DM55 SPO-1	3/4 HP motor at 175 rpm without PCFR, 26" oversized enclosed polyethylene reel, 11/16" x 150' cable
DM55 SPP	3/4 HP motor at 175 rpm with PCFR, 26" enclosed polyethylene reel, 11/16" x 110' cable
DM55 SPP-1	3/4 HP motor at 175 rpm without PCFR, 26" enclosed polyethylene reel, 11/16" x 110' cable
DM55 SPB	3/4 HP motor at 175 rpm with PCFR, 21" enclosed polyethylene reel, 5/8" X 100' cable
DM55 SPB-1	3/4 HP motor at 175 rpm without PCFR, 21" enclosed polyethylene reel, 5/8" x 100' cable
DM55 xx-a	3/4 HP motor changed to 145 HP
DM55 xx-b	3/4 HP motor changed to 215 HP

CABLE SUBSTITUTIONS	
Item	Item Description
CH69-150	11/16" x 150' Hollow Core
CH75-110	3/4" x 110' Hollow Core
CH75-150	3/4" x 150' Hollow Core
LC	Cable pre-loaded into reel
<b>ACCESSORIES / REPLACEMENT PARTS</b>	
Item	Item Description
DRC26	Reel Cover for 26" Open Metal Spoke Reel (D1K)
DRCJ	Jumbo Reel Cover for 26" Open Spoke Metal Reel (D1KJ)
DKIT2	Blade Kit
PCFR	Power Cable Feed and Return
PCFR80K	Power Cable Feed and Return Adapter Kit
WWK10	Wide wheels
NWK10	Narrow wheels
81005K	3/4 HP Motor Kit
81052K	Stair Guide Kit
PCFR35K	Guide Tube (use with PCFR)

## DM55 Drain Snake



# DM55 Drain Snake



The entire line item in **bold** identifies the name of an entire assembly. The “Z” shaped arrow identifies all the parts that make up that assembly. You can purchase the entire assembly, or just the individual parts.

DM55 PARTS LIST			
Item#	Qty.	Part#	Description
<b>1</b>	1	25010K	Switch Plate Assembly
1	1	ECT26	Rubber Switch Boot
2	1	25015	Switch Guard
3	1	25065	Decal, Forward/Off/Reverse
4	1	25010	Switch Plate
5	1	25005	Detent Switch, Wired with Jumpers
6	4	PHSC14	#10-24" x 1/2" Pan Head Machine Screw
7	2	SHCS11	5/16"-18 x 1" Socket Head Cap Screw
8	1	25115	Switch Bracket
9	1	25060	Air Foot On/Off Switch
10	1	25073K	Foot Pedal Assembly
	1	25073	Foot Pedal with 8' Tubing, Metal Housing
	1	HCL8	Clamp, Constant Tension
11	1	25020K	Switch Housing Assembly with Decals
	1	25020	Switch Housing
	1	25015	Switch Guard
	1	25067	Decal, Foot Switch Danger
12	2	D25000	Decal, Machine Logo
13	1	25100	Head Casting
14	1	25105	Steel Head Bearing
15	1	25110	Grease Fitting Assembly
	1	CXA	Adapter
	1	ZERK2	1/4"-28 Straight Grease Zerk
	1	WA12	7/16" x 3/4" x 0.072" Zinc Floor Washer
16	1	25031K	Top Cover with Decals
	1	25031	Top Cover
	1	25066	Decal, Step Warning
	1	25068	Decal, Electrical Danger
17	2	25130	Bushing, Top Cover
18	2	SHCS11	5/16"-18 x 1" Socket Head Cap Screw
19	1	25051	Heavy Duty Vertical Support with End Caps
	1	25051-1	Vertical Support w/o end caps
	2	MM16	End Cap, Black
20	2	CLPNUT1	5/16"-18 Clip Nut
21	8	WA42	1/4" Flat Washer
22	8	WA22	1/4" Lock Washer
23	4	HHCS48	M6 x 1.0 x 60mm Metric Hex Head Cap Screw

DM55 PARTS LIST			
Item#	Qty.	Part#	Description
24	1	25125	Collar, Shaft
25	25	FLSC1	5/16"-18 x 3/4" Hex Head Flange Screw
26	25	FLNUT3	5/16"-18 Hex Flange Nut, Locking
27	1	81030	Mounting Plate, Motor
28	2	SB5	Bearing, Reel Shaft
29	8	82063	Spacer Tube
30	1	82060	Gear Reducer, 10:1
31	1	KEY12	3/16" x 2" Square Key
32	1	82061	Shaft, Reel
33	1	FILHMS1	#10-24 x 3/8" Fillister Head Machine Screw
34	1	KEY9	1/4" x 2-3/4" Square Key
35	1	KEY7	1/4" x 1" Square Key
36	1	82062	Mounting Block, Front
37	1	25095	Mounting Plate, Bearing
38	4	HHCS49	M6 x 1 x 100 mm Metric Hex Head Cap Screw
39	4	PHSC14	#10-24 x 1/2" Pan Head Machine Screw
40	1	81040	Drive Plate Assembly
	1	81040-1	Drive Plate Weldment, Finished
	1	CPSS4	5/16"-18 x 1/4" Cup Point Set Screw
	2	25090	Drive Lug Assembly
	1	25090A	Drive Lug
	1	MM4	Drive Lug Cap, Red
	1	WA10	3/8" Split Lock Washer
	1	HXNUT11	3/8"-24 Hex Nut
41	1	25025	Motor Cover
42	1	81005	Motor, 3/4 HP
43	1	ECT34	1/2" Strain Relief, 90 degree Snap Elbow
	1	ELN1	1/2"-14 NPT (National Pipe Thread) Lock Nut
44	1	ECT30	1/2" Strain Relief, Straight
	1	ELN1	1/2"-14 NPT (National Pipe Thread) Lock Nut
	1	82010	175 rpm Drive System
45	1	25087	Sheave, 4L x 2-1/2" outside diameter (Motor Shaft AKA pulley)
46	1	25082	Belt, 4L180
47	1	25087	Sheave, 4L x 2-1/2" outside diameter (Motor Shaft AKA pulley)
	1	82011	145 rpm Drive System
45	1	25087	Sheave, 4L x 2-1/2" outside diameter (Motor Shaft AKA pulley)
46	1	25083	Belt, 4L190

## DM55 Drain Snake



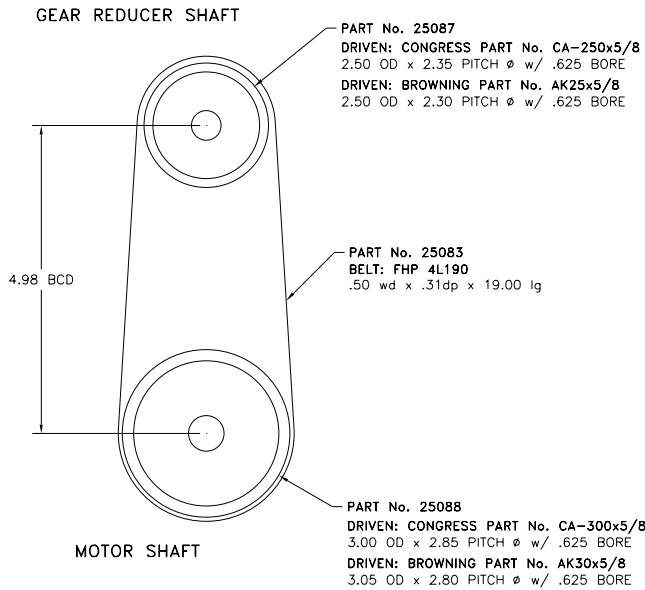
The entire line item in **bold** identifies the name of an entire assembly.  
The "Z" shaped arrow identifies all the parts that make up that assembly.  
You can purchase the entire assembly, or just the individual parts.

DM55 PARTS LIST			
Item#	Qty.	Part#	Description
47	1	25088	Sheave, 4L x 3.05" outside diameter (Gear Shaft AKA pulley)
	1	82012	215 rpm Drive System
45	1	25088	Sheave, 4L x 3.05" outside diameter (Motor Shaft AKA pulley)
46	1	25083	Belt, 4L190
47	1	25087	Sheave, 4L x 2-1/2" outside diameter (Gear Shaft AKA pulley)
48	1	81035K	Pulley Cover with Decals
	1	81035	Cover, Pulley
	1	25063	Decal, Rotating Danger
49	1	25165	Right Angle GFCI with 26" 12/3 Heavy-Duty, Vinyl Jacket, 300V, weather approved, portable (SJTW) Cord
50	1	ECT34	1/2" Strain Relief, 90 degree Snap Elbow
	1	ELN1	1/2"-14 NPT (National Pipe Thread) Lock Nut
51	1	NWK10	Narrow Wheel Kit
	2	JWKN	Wheel, 10" Narrow Solid
	2	HHCS27	3/4"-10 x 5" Hex Head Cap Screw
	2	HXNUT17	3/4"-10 Hex Nut
	2	WA18	Bushing, Narrow Wheel
	2	CPSS3	1/4"-20 x 1/4" Cup Point Set Screw
52	1	WWK10	Wide Wheel Kit
	2	JWKW	Wheel, 10" Wide Semi-Pneumatic
	2	HHCS28	3/4"-10 x 6" Hex Head Cap Screw
	2	HXNUT17	3/4"-10 Hex Nut
	2	25145	Bushing, Wide Wheel
	2	CPSS3	1/4" -20 x 1/4" Cup Point Set Screw
53	2	81050	Reinforcement Strip
54	4	FHMS11	5/16"-18 x 1-3/4" Flat Head Machine Screw
55	4	HXNUT9	5/16"-18 Hex Acorn Nut

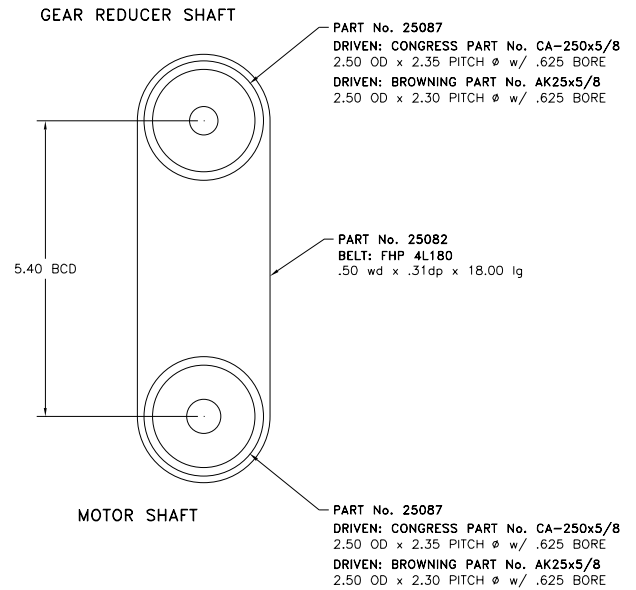
DM55 PARTS LIST			
Item#	Qty.	Part#	Description
56	1	D81015	Frame Set, Right Frame & Left Frame Painted
57	1	25210	Winch Hook Assembly
	4	HHCS5	1/4"-20 x 1-1/2" Hex Head Cap Screw
	4	FLNUT5	1/4"-20 Hex Flange Nut, Locking
	1	EB1	Forged Eye Bolt
	2	WA16	1/2" Split Lock Washer
	1	HXNUT16	1/2"-13 Hex Nut
58	1	82025	Handle Assembly
	2	RLPIN12	3/8" diameter x 1-3/8" Roll Pin
59	1	MM14	Detent Ring Pin with Lanyard Attached
	1	WA5	#10 External Tooth Lock Washer
	1	PHSC14	#10-24 x 1/2" Pan Head Thread Counting Machine Screw
60	2	81052	Stair Glide

## DM55 Drain Snake - Drive System Assembly

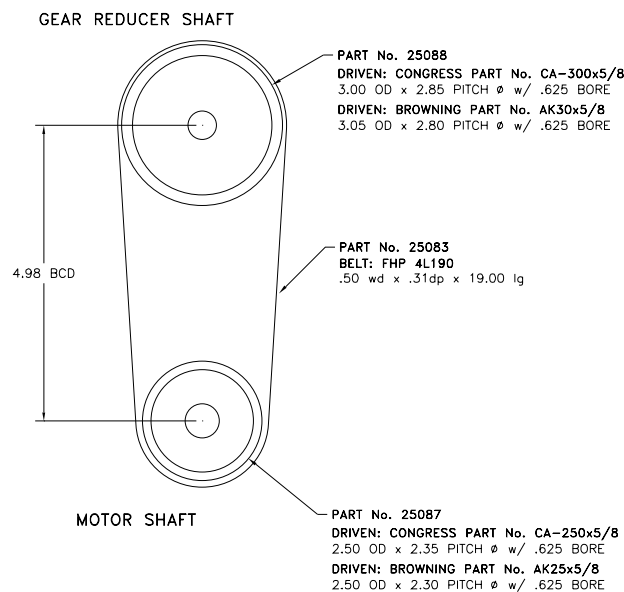
### 215 rpm Drive System



### 175 rpm Drive System



### 145 rpm Drive System



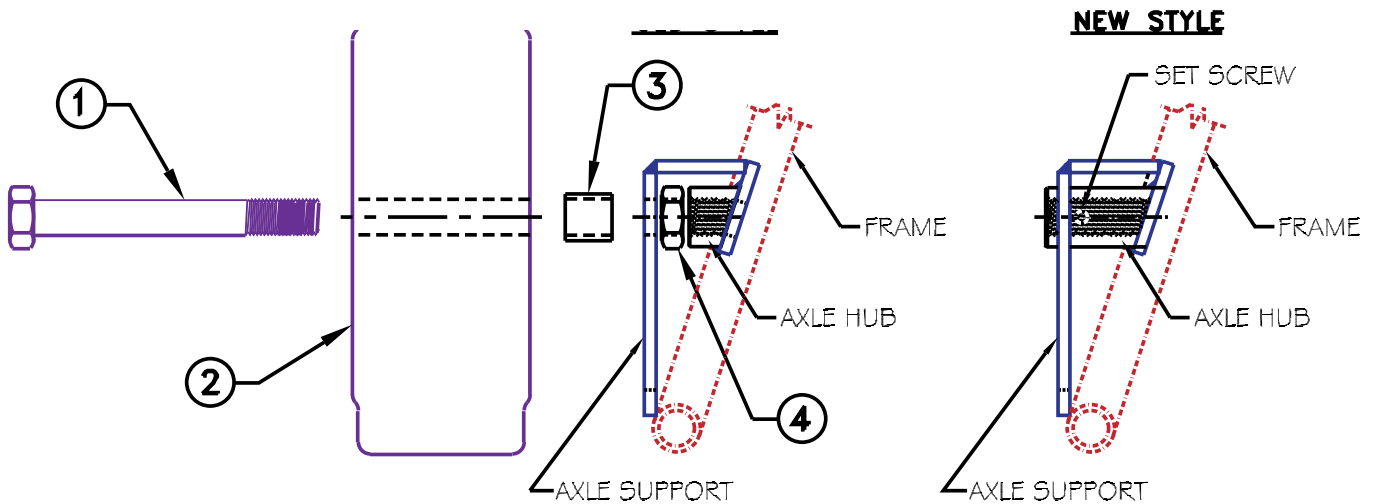
## Wide Wheel Mounting Instructions (DM55, DM30)

1. Insert axle (1) through wheel (2).
2. Place wheel bushing (3) onto axle between the wheel and axle support (as shown).
3. Pass axle assembly through hole in axle support (old style only).
4. Thread axle nut (4) to axle after it has passed through axle support (old style only).
5. Thread axle to axle hub. Tighten until wheel is secure yet free-spinning.
6. Over-tightening of the axle will damage the wheel bearing.
7. Axle nut must be backed off as the axle is being tightened (old style only).
8. Tighten axle nut to the axle hub to secure axle.
9. Tighten set screw in axle hub to secure axle.
10. Repeat process on other side of machine.

PARTS LIST			
Item#	Qty.	Part#	Description
SETSCREW	2	CPSS3	1/4 – 20 X .25 Skt HD Set Screw
4	2	HXNUT 17	3/4 – 10 Hex Nut
3	2	25145	Wheel Bushing
2	2	JWKW	Wide Wheel – 10" dia.
1	2	HHCS28	3/4 – 10 x 6.00 Hex HD Cap Screw

### Tools:

Axle – 1-1/8" Socket and Open End Wrench  
 Set Screw – 1/8" Hex Key or Allen Wrench



## Narrow Wheel Mounting Instructions (DM55, DM30)

1. Insert axle (1) through wheel (2).
2. Place wheel bushing (3) onto axle between the wheel and axle support (as shown).
3. Pass axle assembly through hole in axle support (old style only).
4. Thread axle nut (4) to axle after it has passed through axle support (old style only).
5. Thread axle to axle hub. Tighten until wheel is secure yet free-spinning.
6. Over-tightening of the axle will damage the wheel bearing.
7. Axle nut must be backed off as the axle is being tightened (old style only).
8. Tighten axle nut to the axle hub to secure axle.
9. Tighten set screw in axle hub to secure axle.
10. Repeat process on other side of machine.

PARTS LIST			
Item#	Qty.	Part#	Description
SETSCREW	2	CPSS3	1/4 – 20 X .25 Skt HD Set Screw
4	2	HXNUT 17	3/4 – 10 Hex Nut
3	2	WA18	Wheel Bushing
2	2	JWKN	Narrow Wheel – 10" dia.
1	2	HHCS27	3/4 – 10 x 5.00 Hex HD Cap Screw

**Tools:**

Axle – 1-1/8" Socket and Open End Wrench  
Set Screw – 1/8" Hex Key or Allen Wrench

