

DM175 For 3" to 10" Lines

The DM175 drain snake's big power and extra features make your job easier for main lines, industrial, commercial, residential, overhead and wall cleanouts, floor drains, heavy grease or tree roots.



Specifications:

- 1/2 HP motor (3-year warranty), 175 RPM
- 10:1 Gearbox Ratio

Features:

- Power Cable Feed and Return
- Adjustable Handle (3-positions)
- Built-in Tool Box
- Steel Head Bearing
- Stair Climbers
- Standard Safety Air Foot Pedal
- 10" Narrow Wheels
- Fits through 30" doorway
- Available with 18", 23", or 27" reels

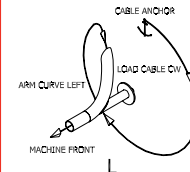


Snake Specifications (Estimated)

Length	
Without PCFR	26"
With PCFR	33"
Width	
With wheels (narrow)	22-1/2"
Height	
With handle in low position	45"
With handle in mid position	47"
With handle in high position	49"
Weight	
Machine	91.5 lbs.
23PR reel w/ 10' tail piece	33.5 lbs.
PCFR	12 lbs.
Wheels, 10"	12.5 lbs.

Arms

92RA-L

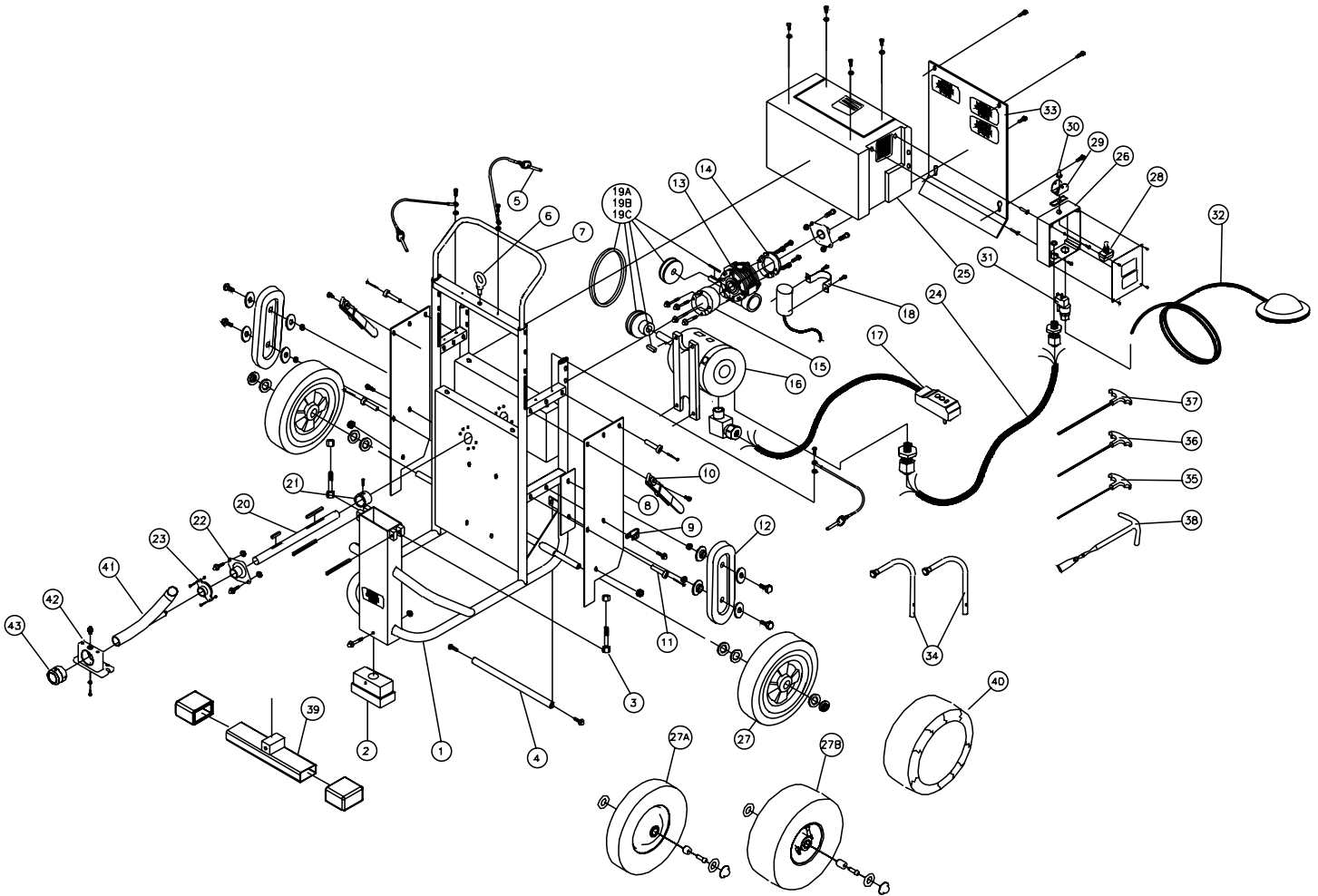


This is the standard arm that comes with this machine package. Opposite arms are available.

The DM175 is a steel uni-body frame that is welded together at Duracable Manufacturing. The upright design allows for service technician's to operate the drain snake in either a vertical or horizontal position with removable leg supports come standard with the machine. A steel head bearing holds the reel in place and allows for a quick reel change with convenient swing bolts. A built-in tool box is a GREAT feature allowing for easy access to specific tools. The winch hook at the top of the frame makes it easy to lift the drain snake with Duracable's ramp.

DM175 – DURACABLE UPRIGHT MACHINE SALES PACKAGES		ACCESSORIES / REPLACEMENT PARTS	
Item	Item Description	Item	Item Description
DM175SP1	1/2 HP motor at 175 RPM, 23" enclosed polyethylene reel	DM1755K	1/2 HP Motor Kit
DM175SP2	1/2 HP motor at 175 RPM, two 23" enclosed polyethylene reels	PCFR	Power Cable Feed and Return
DM175SP3	1/2 HP motor at 215 RPM, 23" enclosed polyethylene reel	25220	10" wheels
DM175SP4	1/2 HP motor at 215 RPM, two 23" enclosed polyethylene reels	MM1	Stair Climbers
DM175SP5	1/2 HP motor at 145 RPM, 23" enclosed polyethylene reel	92072K	Horizontal Stabilizing Legs (set of 2, optional)
DM175SP6	1/2 HP motor at 145 RPM, two 23" enclosed polyethylene reels	92070	Loading wheels (optional)
DM175SP7	1/2 HP motor at 145 RPM, 18" enclosed polyethylene reel	25074	Air Foot Pedal (rubber) with 10' tubing
DM175SP8	1/2 HP motor at 175 RPM, 18" enclosed polyethylene reel	25061	Air Switch with Strain Relief Nut
DM175SP9	1/2 HP motor at 215 RPM, 18" enclosed polyethylene reel	27PR	Enclosed polyethylene reel with inner reel (27")
DM175SP10	1/2 HP motor at 145 RPM, 18" and 23" enclosed polyethylene reels	23PR	Enclosed Polyethylene Reel with Inner Reel (23")
DM175SP11	1/2 HP motor at 175 RPM, 18" and 23" enclosed polyethylene reels	18PR	Enclosed Polyethylene Reel with Inner Reel (18")
DM175SP12	1/2 HP motor at 215 RPM, 18" and 23" enclosed polyethylene reels	92026K	Grip Handle Kit
DM175SP13	1/2 HP motor at 145 RPM, 18" and 27" enclosed polyethylene reels	PCFR35K	Guide Tube (use with PCFR)
DM175SP14	1/2 HP motor at 175 RPM, 18" and 27" enclosed polyethylene reels	92RA-R	Right revolving arm for 11/16" and 3/4" cable
DM175SP15	1/2 HP motor at 215 RPM, 18" and 27" enclosed polyethylene reels		
DM175SP16	1/2 HP motor at 145 RPM with 27" enclosed polyethylene reel		
DM175SP17	1/2 HP motor at 175 RPM with 27" enclosed polyethylene reel		
DM175SP18	1/2 HP motor at 215 RPM with 27" enclosed polyethylene reel		

DM175 Drain Snake



NOTE: Part numbers ending with "K" represent a kit. Each kit is made up of the parts listed below the "K" number.

DM175 Drain Snake

NOTE: Quantity column refers to "Total number required for machine".
Parts can be ordered in single quantities.

DM175 PARTS IDENTIFICATION				
Item#	Qty.	Part#	Description	
1	1	D92015K	Frame Assembly Kit (1 Frame, 1 Logo)	
		D92015	Frame Assembly	
		D25000	Square logo for machines	
2	1	MM48K	Rest Pad Kit (1 Rest Pad, 1 Bolt, 1 Nut)	
		MM48	Rest Pad	
		FLSC17	1/4-20 x 2 1/4" L Flange Hex Screw Zinc Coated	
		FLNUT5	1/4-20 Flanged Hex Nut	
3	2	MM42K	Swing Bolt Kit (1 Swing Bolt, 1 Swing Bolt Nut, 1 Roll Pin)	
		MM42	Swing Bolt	
		MM43	Swing Bolt Nut	
		RLPIN14	Roll Pin	
4	1	92030K	Push Bar Kit (1 Push Bar, 2 3/8-16 x .625 L HX HD Flange Screw)	
		92030	Push Bar (DM175)	
		FLSC7	3/8-16 x .625 L HX HD Flange Screw	
5	3	MM37K	Detent Ring Pin Kit (1 Pin, 1 Washer, 1 Screw)	
		MM37	5/16" Dia. Detent Ring Pin w/8" Lanyard	
		WA5	#10 External Tooth Lock Washer	
		PHSC12	#10-24 x 3/8" Pan Head Thread Cutting Machine Screw	
6	1	EB1K	Eye Bolt Kit (1 Eyebolt, 1 Washer)	
		EB1	1/2"- 13 x 1" L Forged Eyebolt	
		WA16	1/2" Dia. Split Lock Washer	
7	1	92025K	Handle Kit for DM175 (1 Handle, 2 Roll Pins)	
		92025	Handle (DM175)	
		RLPIN13	5/16" Dia. X 1.25" L Roll Pin	
8	2	92045K	Side Cover Kit (1 Cover, 1 Bushing)	
		92045	Side Cover	
		ECT38	Rubber Cord Bushing	
9	1	CCL2K	Rubber Cushioned Steel Loop Clamp Kit (1 Loop, 1 Screw)	
		CCL2	Rubber Cushioned Steel Loop Clamp	
		FLSC4	1/4"-20 X 3/4" L HX Fling. Screw Zinc Coated	
10	2	CTIE5K	1" Velcor Strap, Cable Tie Kit (1 Strap, 1 Washer, 1 Screw)	
		CTIE5	1" Velcor Strap, Cable Tie	
		WA3	3/16" USS Flat Washer	
		SKTS2	5/16" DS x 1/4" LS Shoulder Screw	
11	4	92035K	Cord Spindle Kit (1 Spindle, 1 Washer, 1 Screw)	
		92035	Cord Spindle	
		WA35	1/4" Internal Tooth Lock Washer	
		SHCS37	1/4"-20 x 2-1/2 L Socket Head Cap Scr.	
12	2	MM1K	Stair Glider Kit (1 Glider, 2 Standoffs, 2 Screws, 2 Nuts, 2 Washers)	
		MM1A	Stair Glider	
		MM1B	Stair Glider Standoff	
		FLSC16	3/8-16 x 2-1/2" L Fling Whiz Loc Zinc Coated Screw	
		FLNUT4	3/8-16 Flange Nut	
13	1	WA21	3/8 ID x 7/8 OD x 14 GA Flat Washer	
		82060	10:1 Gear Reducer	

DM175 PARTS IDENTIFICATION				
Item#	Qty.	Part#	Description	
14	1	92063K	Gear Mounting Block Kit, Rear (2 Blocks, 4 Washers, 4 Screws)	
		92063	Gear Mounting Block, Rear	
		WA35	1/4 Internal Tooth Lock Washer	
		FLSC10	6-1 x 25MM Hx HD Smooth Flange Zinc Coated Screw	
15	1	92062K	Gear Mounting Block Kit, Front (1 Block, 4 Washers, 4 Screws)	
		92062	Gear Mounting Block, Front	
		WA35	1/4 Internal Tooth Lock Washer	
		FLSC11	6-1 x 50MM Hx HD Smooth Flange Zinc Coated Screw	
16	1	D92005K	1/2 HP AC Motor, Kit (1 Motor, 4 ECT28, 2 ECT29, 1 ECT30, 1ECT34, 2 ELN1)	
		D92005	1/2 HP 175 RPM 60 Hz AC Motor	
		ECT28	Nylon Crimp Style Wire Nut	
		ECT29	Nylon Crimp Style Wire Nut	
		ECT30	Mencom PCG Straight 1/2" Connector	
		ECT34	90 Degree Snap Elbow	
		ELN1	Bridgeport 101 1/2" Locknuts	
17	1	25167	Right Angle GFCI 15 A Black	
18	1	ECT39K	Capacitor Mt. Strap Kit (1 Strap, 2 Lk Washers, 2 Screws, 2 Fl Washers)	
		ECT39	Capacitor Mounting Strap	
		WA5	#10 Ext. Tooth Lock Washer	
		PHSC6	10-32 X 5/8" L Pan HD. M. S. Zinc Coated Screw	
		WA17	17/64 ID x 5/8 OD x 14 GA Flat Washer	
19A	1	92010	175 RPM Drive System (2 Sheave, 1 Belt, 1 Gearbox Drive Key, 1 Motor Drive Key)	
		25088	4L x 5/8 ID x 3" OD x 2.85 P Sheave	
		25083	4L190 "V" Belt	
		KEY12	3/16 x 2" Square Key (Gearbox)	
		KEY10	3/16 x 1-1/4" L Square Key (Motor)	
19B	1	92011	145 RPM Drive System (1 Ea Sheave 25087 & 25088, 1 Belt, 1 Gearbox Key, 1 Motor Key)	
		25087	4L x 5/8 ID x 2-1/2" OD x 2.35 P Sheave	
		25088	4L x 5/8 ID x 3" OD x 2.85 P Sheave	
		25082	4L180 "V" Belt	
		KEY4	3/16 x 2-1/4" L Square Key (Gearbox)	
		KEY10	3/16 x 1-1/4" L Square Key (Motor)	
19C	1	92012	215 RPM Drive System (1 Ea Sheave 25087 & 25088, 1 Belt, 1 Gearbox Key, 1 Motor Key)	
		25087	4L x 5/8 ID x 2-1/2" OD x 2.35 P Sheave	
		25088	4L x 5/8 ID x 3" OD x 2.85 P Sheave	
		25082	4L180 "V" Belt	
		KEY4	3/16 x 2-1/4" L Square Key (Gearbox)	
		KEY10	3/16 x 1-1/4" L Square Key (Motor)	
20	1	92061K	Reel Shaft Kit (1 Shaft, 1 Gearbox Drive Key, 1 Drive Plate Key)	
		92061	Reel Shaft	
		Key9	1/4 x 2-3/4" L Square Key (Gearbox)	
		Key7	1/4 x 1" L Square Key (Drive Plate Assy)	

DM175 Drain Snake

NOTE: Quantity column refers to "Total number required for machine".
Parts can be ordered in single quantities.

DM175 PARTS IDENTIFICATION			
Item#	Qty.	Part#	Description
21	1	25125K	Reel Shaft Collar Kit (1 Collar, 1 Screw)
		25125	Reel Shaft Collar
		FILHMS1	10-24 x 3/8" L FIL. HD. SLTD. Zinc Coated Screw
22	2	SB5K	Flanged Bearing Kit (1 Bearing, 2 Screws, 2 Lock Nuts)
		SB5	1" ID x 1-1/8" L Flanged Bearing (Reel Shaft)
		FLSC13	5/16-18 x 1/2" L Flanged Whiz Lock Zinc Coated Screw
		FLNUT3	5/16-18 Flanged Lock Nut
23	1	92040	Drive Plate Assembly w/Set Screw (1 Drive Plate, 1 Set Screw, 2 Cap Screws, 2 Lock Nuts)
24	1	92018K	Wire Loom Kit (2 Lock Nuts, 2 Connectors, 43" Wire, 5 - ECT21, 5 - ECT28 & 2 - ECT29)
		ELN1	Bridgeport 101 1/2" Locknut
		ECT30	Mencom PCG Straight 1/2" Connector
		SOOW146	14GA 6 Conductor Soow A-SO - 43"
		ECT21	FEM Disconnect 16-14 AWG
		ECT28	Nylon Crimp Style Wire Joint
		ECT29	Nylon Crimp Style Wire Joint
25	1	92020K	Toolbox Kit (1 - 92020 Assembled Tool Box, 4 Bonded Washers, 4 Screws)
		SHCS31	1/4-20 x 3/4 Button Head Socket Screw
		WA37	Bonded Washer
		92020-2	Toolbox w/Lid
		25066	1 - Step/Cover Warning Decal
		RNUT3	2 - 1/4 Rivet Nut for Plastic
		MM41	1 - Keyless Cam Lock w/Hardware
		MM50	1 - Ribbed Matting, 2.5 In. Lg.
26	1	92021K	Switch Housing Kit (1 - 92021, 1 - 92022, 4 - 6-32 Screws, 2 Bonded Washers, 2 Cap Screws)
		92021	Switch Housing w/Labels (1 Housing & 1 - 92021B Decal)
		92021B	Decal, Forward Reverse
		92022	Switch Housing Cover w/Labels (1 Cover, 1 - 25064 Decal & 1 - 25212 Decal)
		25064	Fwd/Rev Caution Decal
		25212	Decal, GFCI/Rotating Danger
		PHSC7	6-32 x 3/8" L Pan HD Zinc Coated Screw
		WA37	1/4 ID x 3/4 OD Bonded Washer
		SHCS31	1/4-20 x 3/4 L BTN SKT HD Cap SCR
27	2	25220K	10" Poly Silver Mag Wheel, 2 - 13/16 Washers, 1 - 7/8 Washer, 1 Push Nut
		25220	10" Polytech Silver Mag Wheel
		WA18	13/16 ID x 1-1/2 OD x 11 GA Flat Washer
		PNUT1	3/4 ID Zinc Push Nut

DM175 PARTS IDENTIFICATION			
Item#	Qty.	Part#	Description
27A	2	NWKU	10" Rubber Wheel, 2 - 13/16 & 1 - 7/8 Washers, 1 Push Nut, 1 Shaft Extension, 1 Screw
		JWKN	10" Narrow Rubber Wheel
		WA18	13/16 ID x 1-1/2 OD x 11 GA Flat Washer
		PNUT1	3/4 ID Zinc Push Nut
		92015NA	3/4 DIA X .5" LG Axle Extension
		SHCS11	5/16-18 x 1" LG Socket Head Cap Screw
27B	2	WWKU	10" Tire & Wheel, 2 - 13/16 Washers, 1 - 7/8 Washer, 1 Push Nut, 1 Shaft Extension, 1 Screw
		JWKW	10" Wide Air Filled Tubed Tire & Wheel
		WA18	13/16 ID x 1-1/2 OD x 11 GA Flat Washer
		PNUT1	3/4 ID Zinc Push Nut
		92015NB	3/4 DIA X .5" LG Axle Extension
		SHCS11	5/16-18 x 1" LG Socket Head Cap Screw
28	1	25005	Detent Switch w/Jumpers
29	1	25015	Switch Guard
30	1	ECT26	Switch Rubber Boot w/Nut
31	1	25061	Remote Air Actuated Switch
32	1	25074	Foot Pedal w/ 10 Ft Tubing
33	1	92050K	Motor Cover Kit (includes Motor Cover w/Labels & 4 Screws)
		92050	Motor Cover w/Labels (1 Cover, 1 Ea Decals 25068, 25067, 25063)
		25068	GFI Cord Danger Decal
		25067	Foot Switch Warning Decal
		25063	Rotating Danger Decal
		FLSC4	1/4-20 x 3/4" L HX Flange Screw Zinc Coated
34	2	92072	Support Leg w/Rubber Tip (2 Support Leg, 2 Crutch Tips)
		92072A	Support Leg
		CPLUG6	1" ID Crutch Tip
35	1	HKEY9	1/8 x 9" L T-Handle Hex Key Wrench
36	1	HKEY10	3/16 x 9" L T-Handle Hex Key Wrench
37	1	HKEY11	4MM (5/32) x 9" L T-Handle Hex Key Wrench
38	1	MM40	5/8 x 9" L Swivel T-Handle Socket Wrench
39	1	92073K	Front Stabilizer Kit (Instructions, 1 Painted Weldment, 2 Rubber Feet, 1 Bolt, 1 Nut)
		92013I	Front Stabilizer Installation Instructions
		92073-1	Stabilizer Frame - Painted
		MM52	Rubber End Caps
		FLSC17	1/4-20 x 2 1/4" L Flange Hex Screw Zinc Coated
		FLNUT5	1/4-20 Flanged Hex Nut
40	1	CW001P	1 Pair of 10" Wheel Covers
41		92RA	1 5/16" ID Revolving Arm
42	1	92060K	Head Casting Kit (2 Taper Bolts, 1 Screw, 1 Lockwasher, 1 Grease Fitting, 1 Housing)
		MM44	Taper Bolts
		SHCS44	1/4-20 x 9/16 Skt. Hd. Cap Screw
		WA22	1/4 Lockwasher
		25110	.375-24 GREASE FITTING
		92060	Head Bearing Housing
43		25108	Steel Head Bearing