

STANDARD CONNECTORS



E 01 3/8"
E 02 13/32"
E 03 1/2"
E 04 11/16"
E 04A 5/8"
E 04B 3/4"

Gorlitz's cable end fittings E 01 thru E 03 with 1/4" diameter male threaded stud uses blades K 01 thru K 05. Cable end E 04 thru E 04B with 3/8" diameter male threaded stud is designed to be used with blades K 06 thru K 14.



E 05 5/8"
E 06 11/16"
E 07 3/4"

Gorlitz's standard slip joint cable connectors are used with all 5/8" thru 3/4" diameter cables.



E 08

Gorlitz's regular chuck is versatile and accepts all blades K 06 thru K 14.



E 08RR

Gorlitz's hex chuck is versatile and accepts all blades K 06 thru K 14.



E 20

Gorlitz's chuck assembly E 20 is a unique combination of our E 08 and E 60 fittings. This special chuck accepts all 3/4" wide blades K 06 thru K 14.



E 21

Gorlitz's chuck assembly E 21 is a combination chuck consisting of our E 08 and E 62 fittings. This chuck accepts all 1" wide blades K 26 thru K 29.



E 09 Accepts 2 Blades
E 09A Accepts 3 Blades

Gorlitz's heavy duty cone chuck is used on all 4" and larger diameter sewer lines. The outer cone is made of cast bronze and has recessed pockets that lock knives in position. This chuck accepts all single 3/4" wide knives K 19 thru K 22.



E 10

Gorlitz's E 10 slip joint flexible finger leader is specially designed to guide cables easily thru difficult bends in the sewer line. Blades K 06 thru K 14 can be utilized, depending on operators choice.



E 10A

Gorlitz's E 10A flexible finger leader is specially designed to guide 3/8" and 1/2" cables easily thru difficult bends in the drain line.



E 75

Gorlitz's E 75 split pin flexible finger leader is specially designed to guide cables easily thru difficult bends in the sewer line. Blades K 06 thru K 14 can be utilized, depending on operators choice.



E 11 10-24

Gorlitz's allen head cap screw is used on all slip joint connectors and chucks.



E 12 5/32"
E 13 1/8"
E 14 3/32"

Gorlitz's allen wrench E 12 is used on all our allen screws. Wrenches E 13 and E 14 are replacement wrenches for our tool kits. All wrenches are also available in a 9" long T-handle style.



E 12A 5/32"
E 13A 1/8"
E 14A 3/32"

STANDARD CONNECTORS



E 15 11/16"
E 15A 3/8"
E 15B 1/2"
E 15D 3/4"

Gorlitz's female coupler E 15 is a specialty item which attaches to our E 09 and E 09A 1/2" diameter threaded stud to accept an optional whip attachment. Part E 15A and E 15B are provided with a 1/4" female thread and accept our combination retriever S 10.



E 16

Gorlitz's installation handle is the ideal tool for on-site installation of all our slip joint cable connectors E 05 thru E 07.



E 24 1/4"
Thread
E 25 3/8"
Thread

Gorlitz's double female connectors are used for quick but temporary cable extensions.



E 30 3/8"
Cable
E 31 1/2"
Cable

Gorlitz's male/female couplers are used for quick cable extensions.

SPLICES



S 01 3/8"
S 02 13/32"
S 03 1/2"
S 04 5/8"
S 05 11/16"
S 06 3/4"

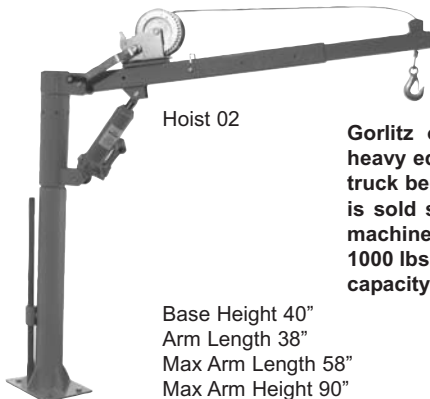
Gorlitz's standard splices are available to repair 3/8" thru 3/4" diameter cables and are unnoticeable once installed.



S 07 5/8"
S 08 11/16"
S 09 3/4"

Gorlitz's hex splices are available to repair 5/8" thru 3/4" diameter cables and are easily recognized once installed.

HOIST



Hoist 02

Base Height 40"
Arm Length 38"
Max Arm Length 58"
Max Arm Height 90"

Gorlitz offers an excellent solution for handling bulky, heavy equipment. The hoist can be mounted inside van or truck beds. This unit, when using the optional sling which is sold separately, can pick up any Gorlitz drain cleaning machine. The hoist has a vertical lifting capacity of up to 1000 lbs., can pivot 360 degrees and have an extended reach capacity of 58".

SPLIT PIN CONNECTORS

Gorlitz's extra long threaded male cable ends E 50 thru E 52 are designed to accept any blade holder E 60 thru E 62 and cone chuck E 63.

E 50 5/8"
E 51 11/16"
E 52 3/4"



Gorlitz's female connectors will lock into any male type fitting securely and are supplied with a split pin. Connectors are available only for 5/8" thru 3/4" diameter cables.

E 53 5/8"
E 54 11/16"
E 55 3/4"



Gorlitz's male connectors will lock into any female type fitting securely. Connectors are available for only 5/8" thru 3/4" diameter cables.

E 56 5/8"
E 57 11/16"
E 58 3/4"



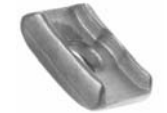
Gorlitz's hexagonal chuck holder accepts blade holders E 60 thru E 62 and cone chuck E 63. The hex shape of the chuck prevents any blade holder from unscrewing.

E 59



Gorlitz's small blade holder is cast in bronze and accepts any 3/4" wide blades K 06 thru K 14. Generally recommended for clearing lines up to 3" in diameter.

E 60



Gorlitz's medium blade holder is cast in bronze and accepts our 3/4" wide blades K 09 and K 12. Generally recommended for clearing 4" in diameter sewer lines.

E 61



Gorlitz's large blade holder is cast in bronze and accepts our 1" wide heavy duty blades K 26 thru K 29. Recommended for clearing lines 3" in diameter and larger.

E 62



Gorlitz's heavy duty 3-blade cone chuck is used on all 3" and larger diameter sewer lines. The outer and inner cones are made of cast bronze. The outer cone has 3 recessed pockets that lock knives in position. This chuck accepts single 3/4" wide knives K 23 thru K 25.

E 63



Gorlitz's split pins are required to lock our male and female split pin connectors.

E 66 1/4" X 5/8"
E 67 1/4" X 3/4"



Gorlitz's specially heat-treated split pin installation handle smoothly guides the split pin through the male and female connectors.

E 68



Gorlitz's male/female split-pin connector can be used to attach leaders to existing cables or it may also be retrofitted as a chuck.

E 74

